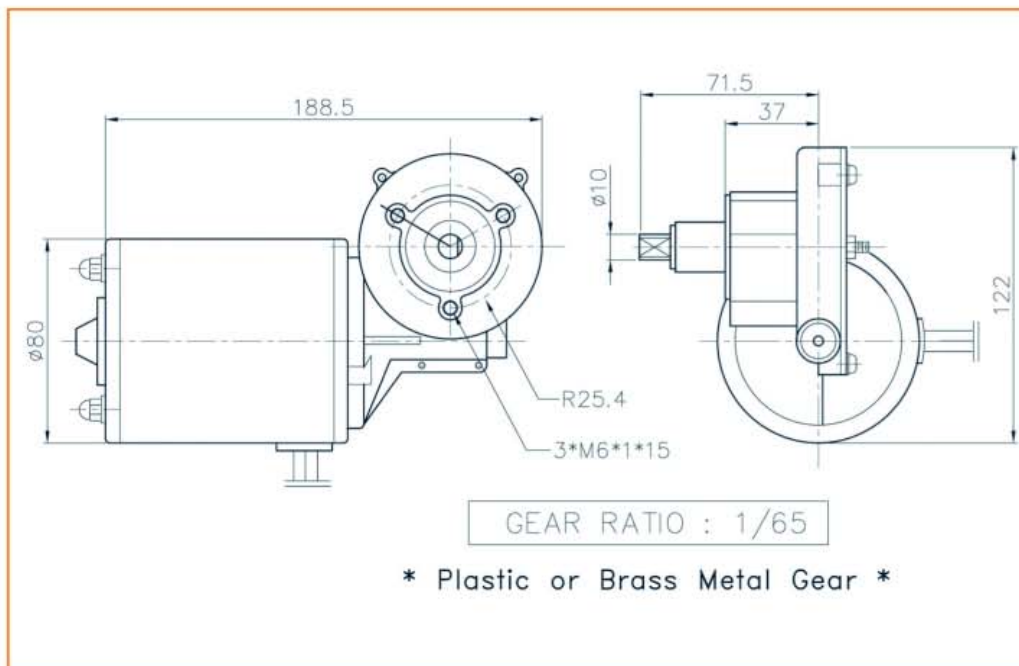


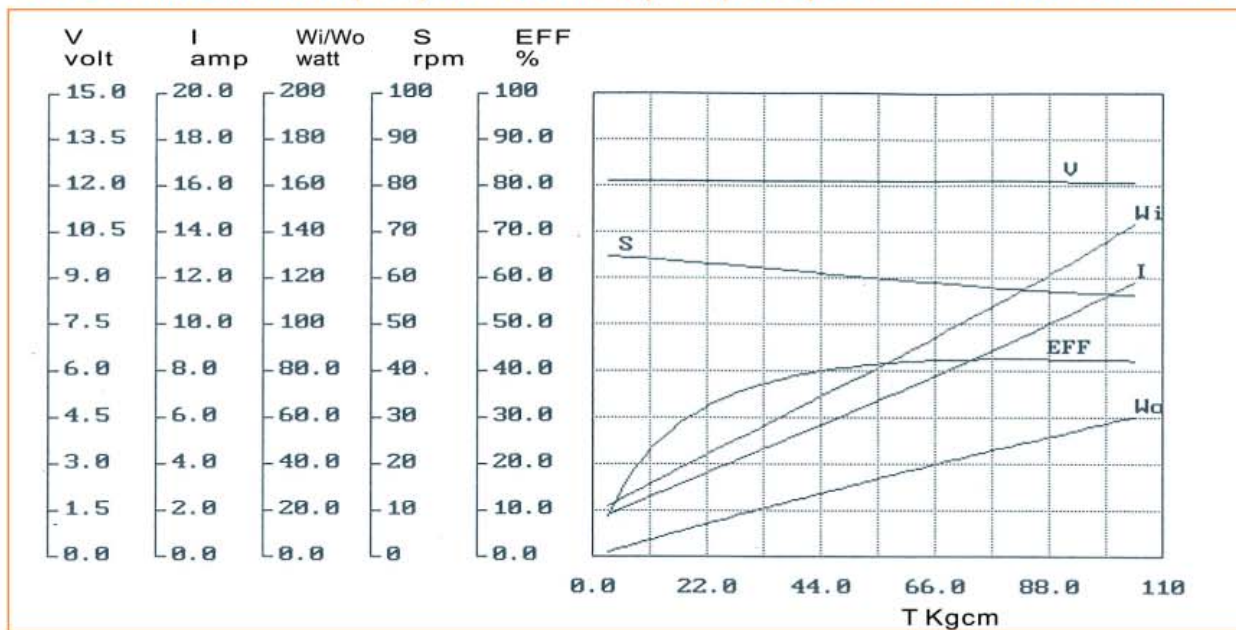


φ 80mm ,Brass/plastic gear
Ratio (1/ i) : 1/65

ASTG7256



12VDC No Load 65rpm (RATIO : 1/65) Torque/Speed Performance Curve



NO	R.P.M.	VOLT(V)	I(AMP)	INPUT(W)	TORQUE(KG-CM)	OUTPUT(W)	EFF (%)
1	65	12.16	1.82	22.1	2.90	1.9	8.6
2	63	12.16	3.22	39.2	17.60	11.4	29.1
3	62	12.13	4.60	55.8	32.80	20.9	37.5
4	61	12.13	6.07	73.6	48.10	30.1	40.9
5	59	12.13	7.56	91.7	63.00	38.1	41.5
6	59	12.13	8.94	108.4	78.30	47.4	43.7
7	55	12.12	10.60	128.0	93.30	52.6	43.1
8	57	12.13	10.23	124.1	90.30	52.8	42.5
9	57	12.12	12.01	145.8	106.10	61.0	41.0

WORM GEAR