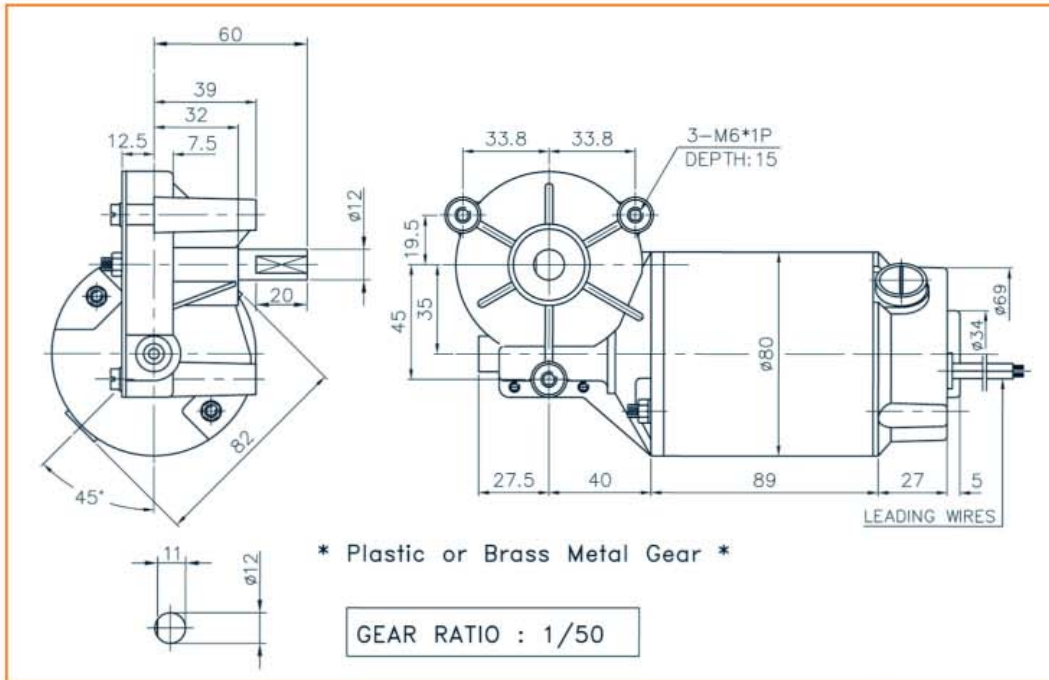




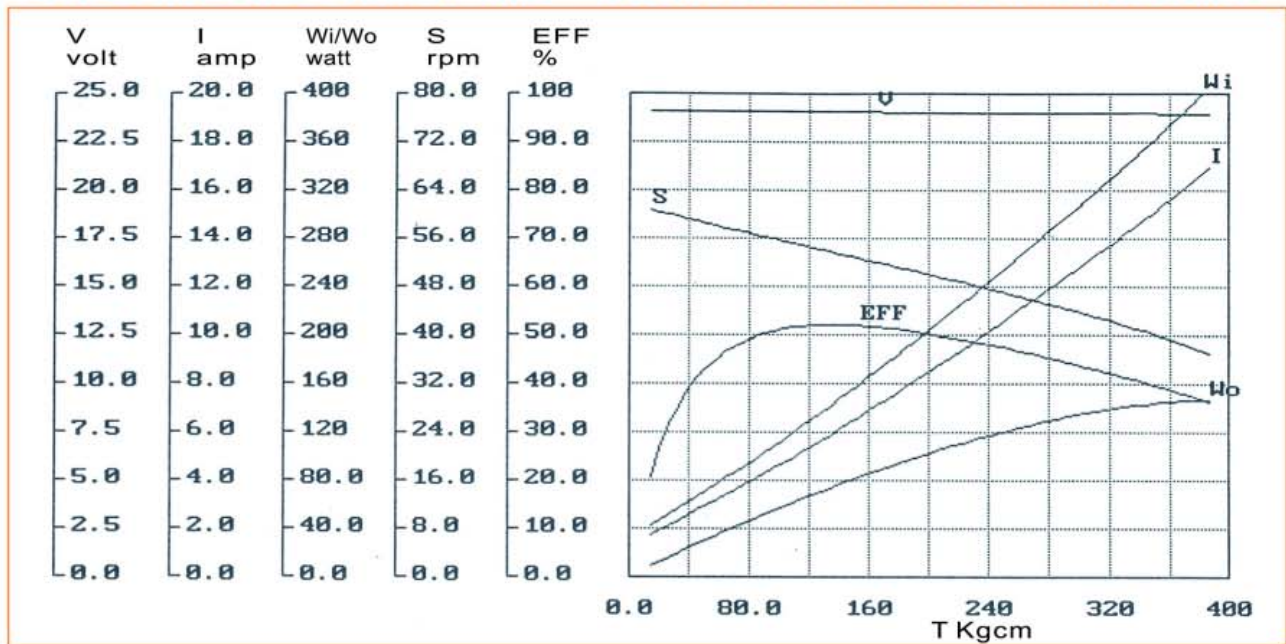
φ 80mm ,Brass/plastic gear
Ratio (1/ i) : 1/50

TLCM7152



N.W 26KGS/PCS
12 PCS A CTN/N.W.31KGS
G.W.32KGS CFT.1.8

24VDC No Load 61rpm (RATIO : 1/50) Torque/Speed Performance Curve



NO	R.P.M.	VOLT (V)	I (AMP)	INPUT (W)	TORQUE (KG-CM)	OUTPUT (W)	EFF (%)
1	60.8	24.05	1.54	37.00	14.00	8.70	23.51
2	60.3	24.07	2.16	52.11	25.00	15.50	29.74
3	59.8	24.08	2.37	57.03	33.00	20.20	35.42
4	58.5	24.07	2.86	68.76	45.00	27.00	39.27
5	57.6	24.06	3.43	82.64	62.00	36.60	44.29
6	56.7	24.08	4.03	97.01	80.00	46.50	47.93
7	55.9	24.08	4.73	113.86	102.00	58.50	51.38
8	54.1	24.04	5.61	134.81	127.00	70.50	52.30
9	52.4	24.06	6.64	159.79	155.00	83.30	52.13
10	51.1	24.02	7.75	186.12	185.00	97.00	52.12
11	49.1	24.00	9.17	220.15	217.00	109.30	49.65
12	47.2	24.01	10.51	252.49	250.00	121.10	47.96
13	44.2	24.01	12.17	292.35	284.00	128.80	44.06
14	42.8	23.97	13.83	331.68	319.00	140.10	42.24
15	39.6	23.96	15.45	370.36	356.00	144.60	39.04
16	36.6	23.94	17.15	410.42	393.00	147.60	35.96

WORM GEAR