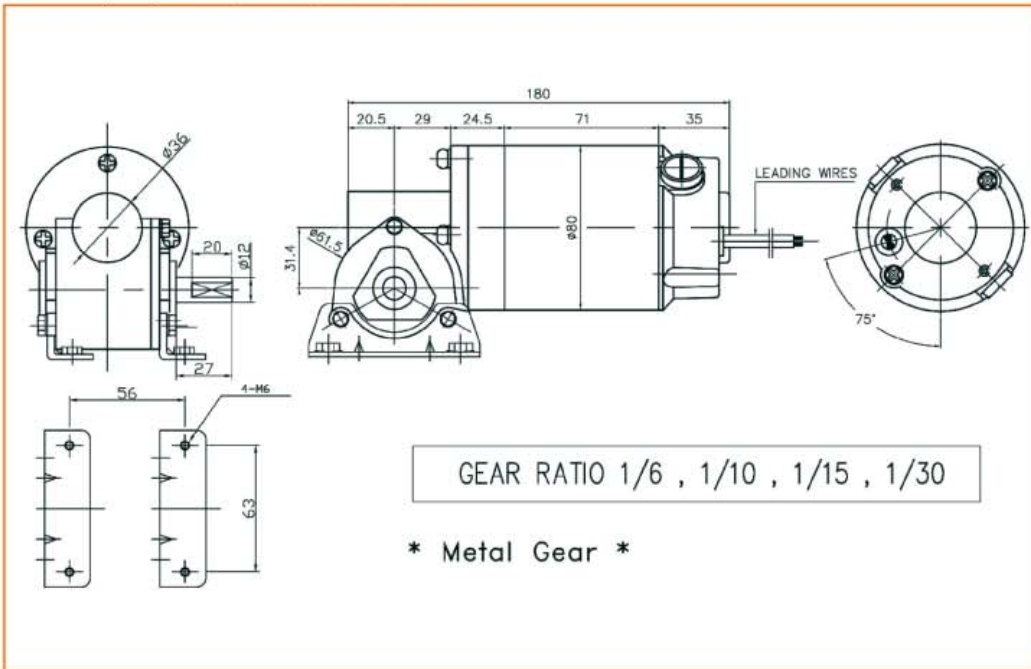




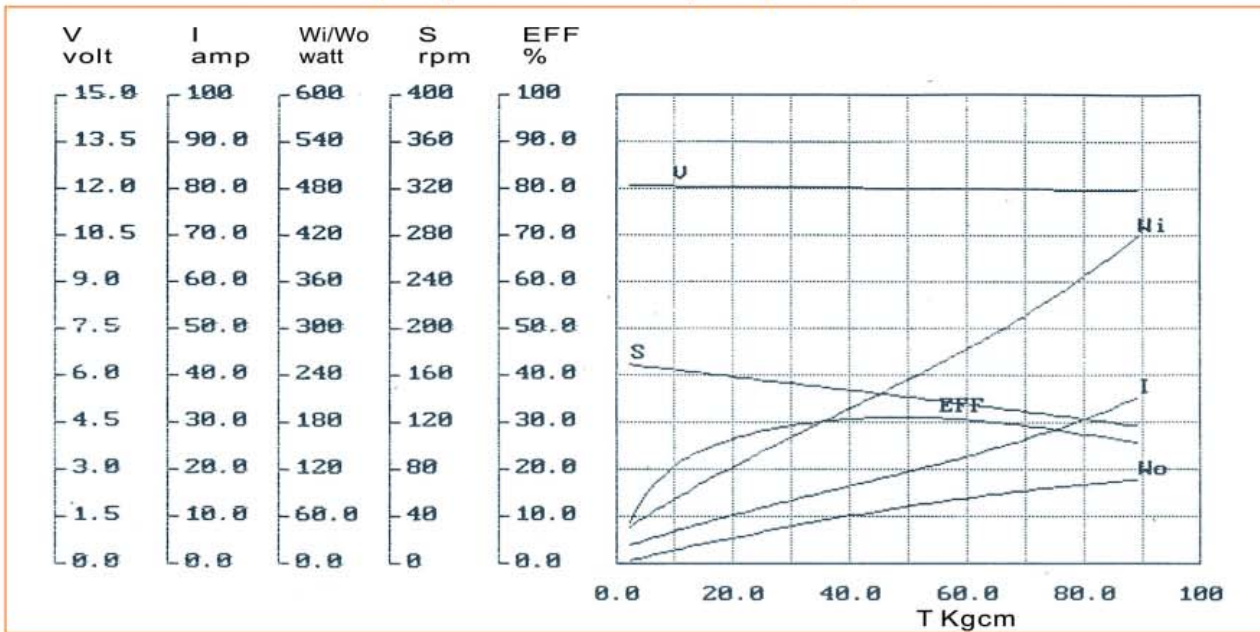
φ 80mm ,Brass gear
Ratio (1/ i) : 1/6,1/10,1/15,1/30

ANCN7152-E



N.W 3 KGS/PCS
12 PCS A CTN/N.W.36KGS
G.W.37KGS CFT.1.8

12VDC No Load 170rpm (RATIO : 1/15)Torque/Speed Performance Curve



WORM GEAR

NO	R.P.M.	VOLT(V)	I (AMP)	INPUT(W)	TORQUE (KG-CM)	OUTPUT(W)	EFF (%)
1	169	12.10	3.97	48.0	2.30	4.0	8.3
2	162	12.06	8.12	97.9	14.90	24.8	25.3
3	155	12.04	12.19	146.8	25.50	40.6	27.7
4	147	12.04	16.51	198.8	39.90	60.2	30.3
5	140	12.01	20.50	246.2	52.60	75.6	30.7
6	133	11.99	24.13	289.3	65.30	89.1	30.8
7	125	11.98	29.02	347.7	77.80	99.8	28.7
8	117	11.93	35.17	419.6	90.40	108.5	25.9
9	118	11.94	33.89	404.6	83.70	101.3	25.0