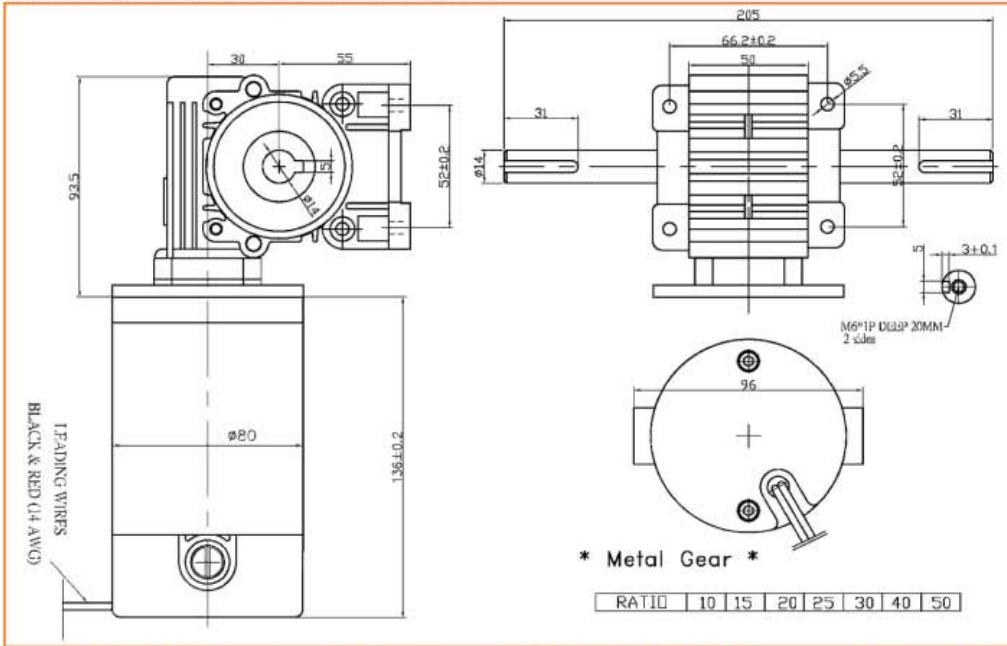


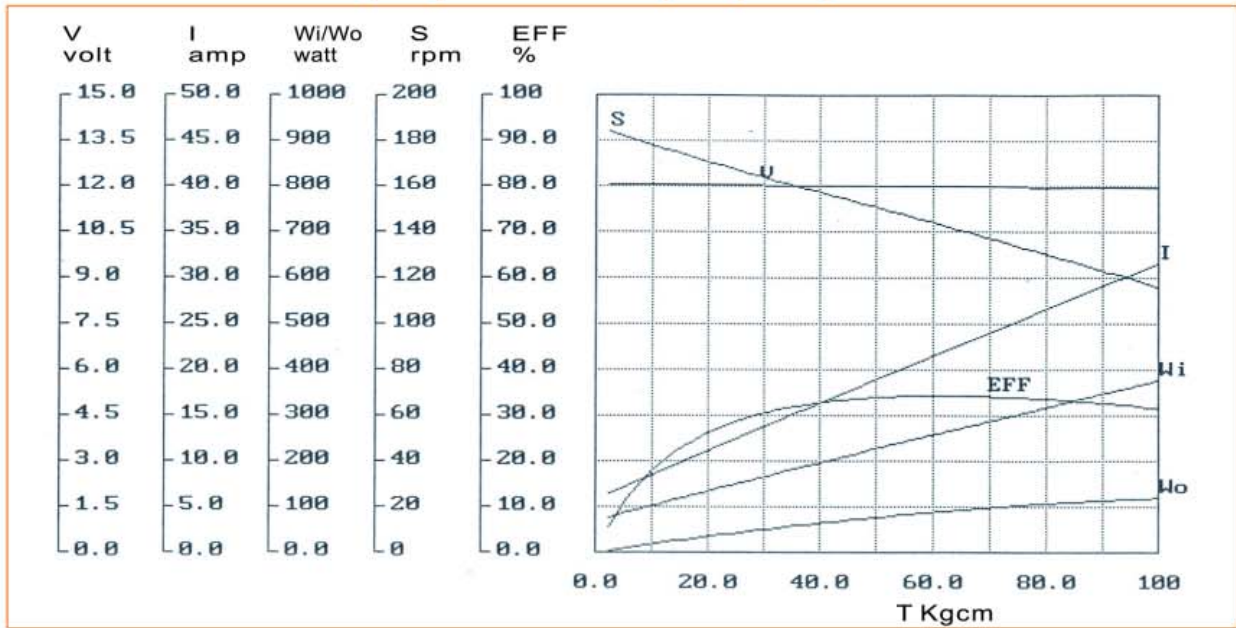


φ 80mm ,Brass gear
 Ratio (1/ i) : 1/10- 1/50
 With encoder/brake available
 Left/Right side output shaft option

WG7152



12VDC No Load 185rpm (RATIO : 1/15) Torque/Speed Performance Curve



NO	R.P.M.	VOLT (V)	I (AMP)	INPUT (W)	TORQUE (KG-CM)	OUTPUT (W)	EFF (%)
1	184	12.04	6.49	78.1	2.30	4.3	5.5
2	173	12.04	9.82	118.2	15.00	26.6	22.5
3	168	12.03	12.95	155.8	27.50	47.4	30.4
4	157	12.01	16.15	194.0	39.30	63.3	32.6
5	149	12.01	19.57	235.0	51.70	79.0	33.6
6	139	11.99	22.99	275.7	65.20	93.0	33.7
7	133	11.97	25.89	309.9	78.00	106.4	34.3
8	123	11.96	29.08	347.8	90.50	114.2	32.8
9	113	11.93	32.37	386.2	102.90	119.3	30.9

WORM GEAR