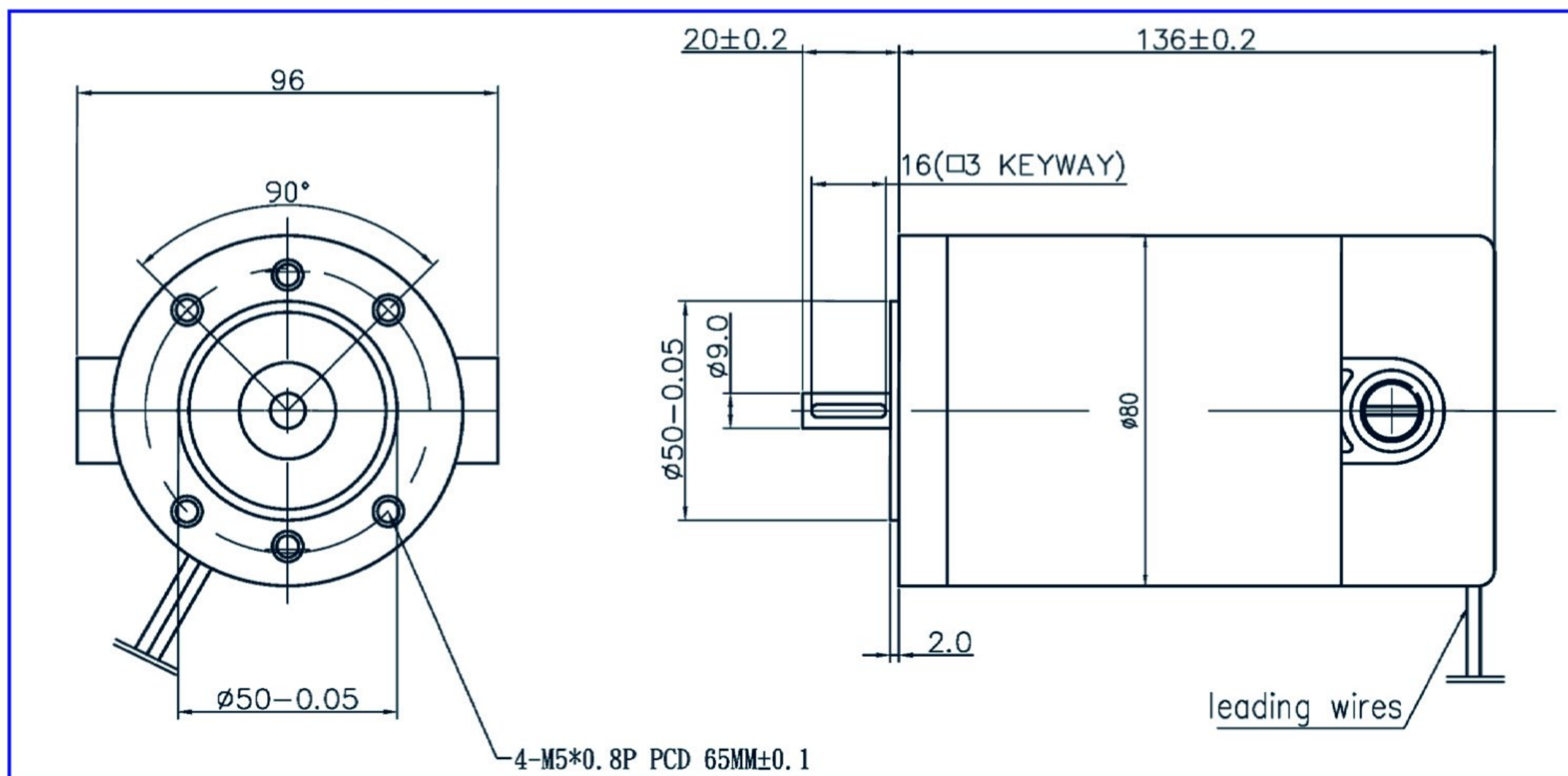


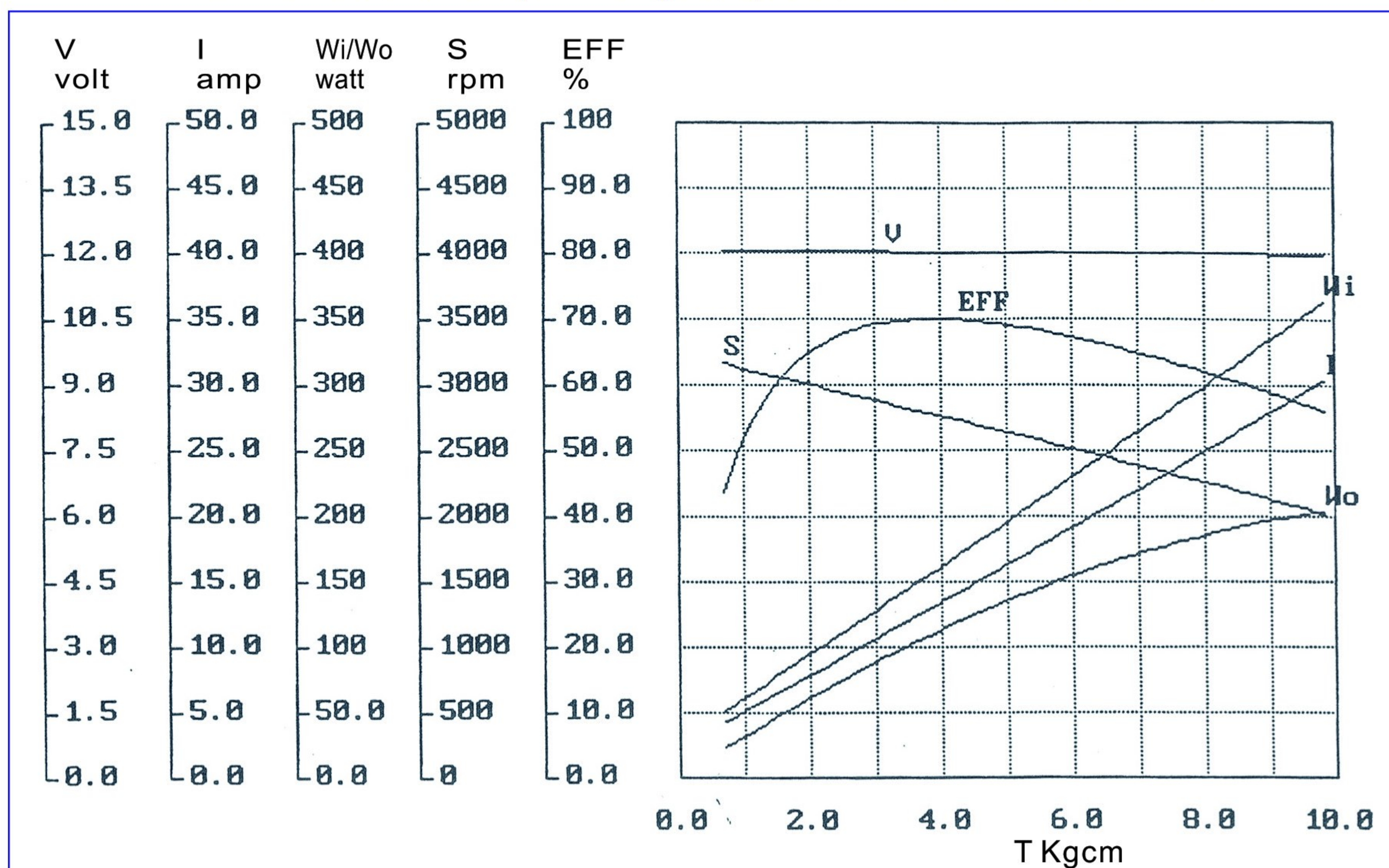


ϕ 80mm ,30-55 Ncm , 150W
 Weight : 2.4 Kg/pcs
 With encoder/brake available
 Front Cover : Square/Circle

M7152H



12 VDC No Load 3200rpm Torque/Speed Performance Curve



NO	R.P.M.	VOLT(V)	I (AMP)	INPUT (W)	TORQUE (KG-CM)	OUTPUT (W)	EFF (%)
1	3152	12.07	4.42	53.3	0.70	22.7	42.6
2	3033	12.04	7.17	86.3	1.80	56.0	64.9
3	2897	12.04	10.35	124.6	2.90	86.2	69.2
4	2779	12.02	13.24	159.1	3.90	111.0	69.8
5	2649	12.01	16.06	192.9	4.90	133.2	69.1
6	2530	11.99	18.71	224.3	5.80	150.6	67.1
7	2333	11.99	23.55	282.4	7.50	179.5	63.6
8	2216	11.99	25.97	311.4	8.40	191.0	61.3
9	1995	11.96	30.92	369.8	10.00	204.7	55.4

DC MOTOR