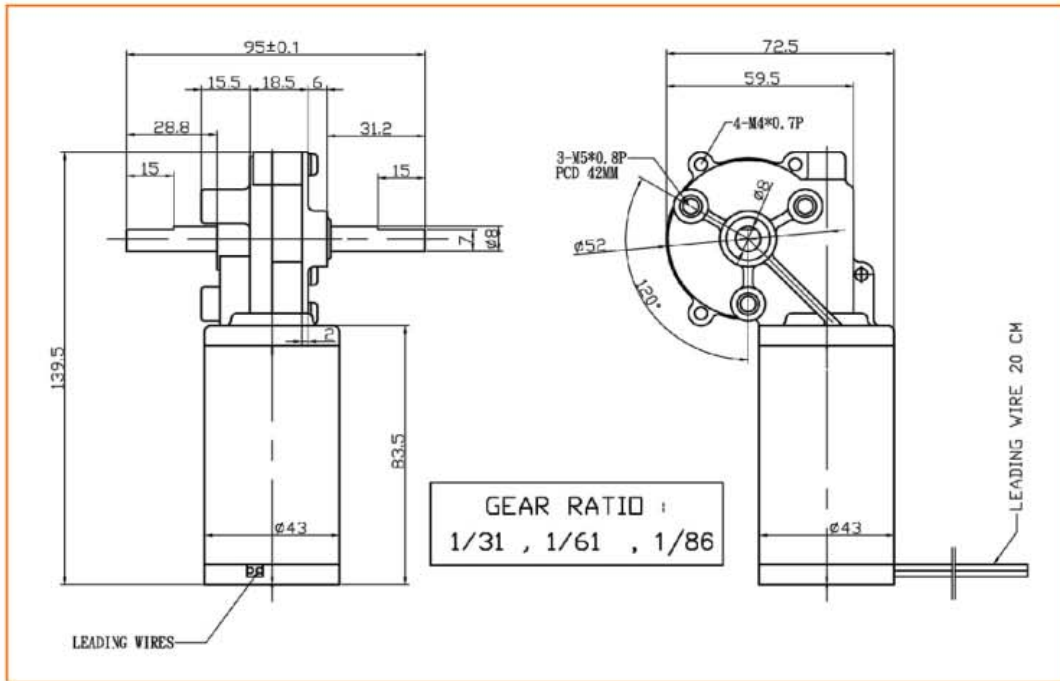


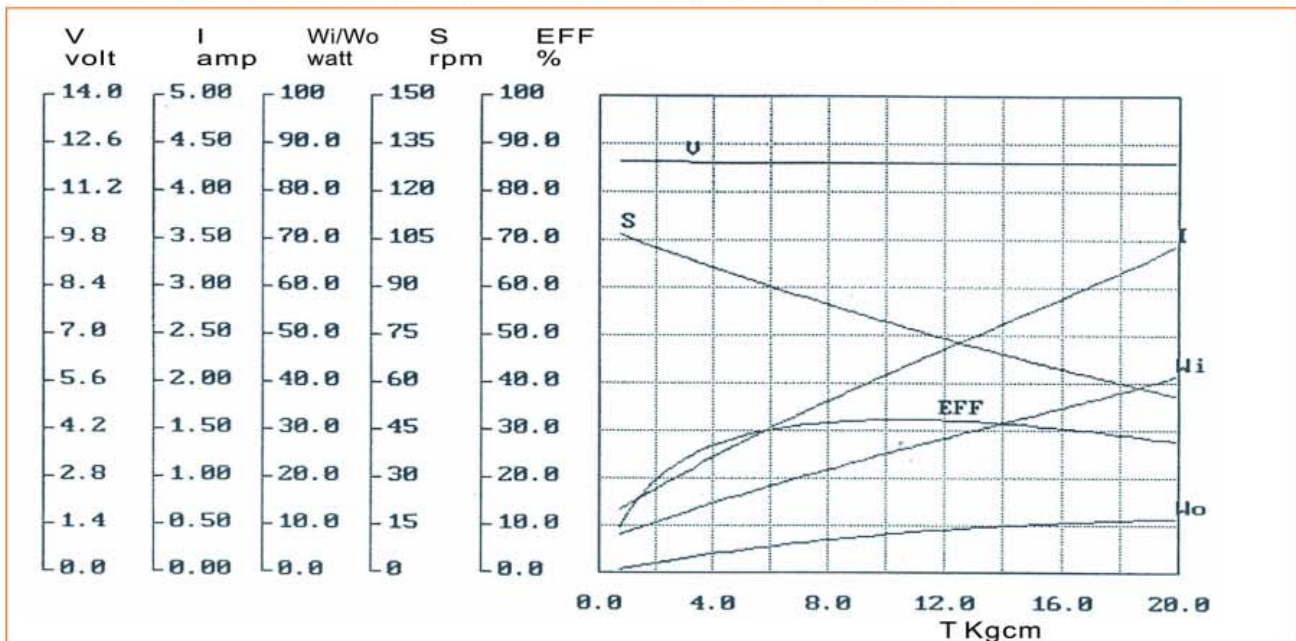


φ 43mm ,Plastic gear
Ratio (1/i) : 1/31 , 1/61 , 1/86
With encoder available

WG3929



12VDC No Load 210rpm (RATIO : 1/31) Torque/Speed Performance Curve



WORM GEAR

NO	R.P.M.	VOLT(V)	I(AMP)	INPUT(W)	TORQUE(KG-CM)	OUTPUT(W)	EFF(%)
1	107	12.07	0.66	8.0	0.70	0.8	10.0
2	95	12.07	1.24	15.0	4.10	4.0	26.7
3	89	12.05	1.68	20.2	7.00	6.4	31.7
4	84	12.04	1.85	22.3	8.50	7.3	32.7
5	78	12.04	2.10	25.3	9.90	7.9	31.2
6	75	12.04	2.28	27.5	11.40	8.8	32.0
7	68	12.04	2.65	31.9	14.30	10.0	31.3
8	65	12.04	2.88	34.7	15.80	10.5	30.3
9	63	12.04	3.03	36.5	17.20	11.1	30.4
10	58	12.04	3.26	39.3	18.70	11.1	28.2
11	55	12.04	3.48	41.9	20.20	11.4	27.2