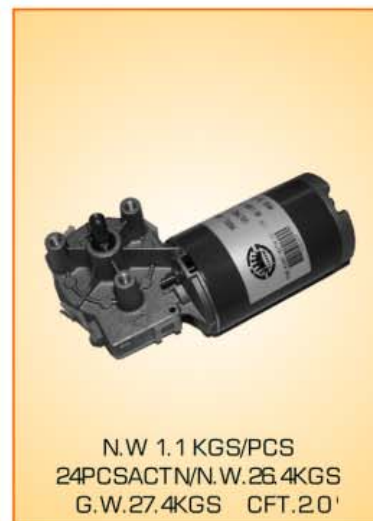
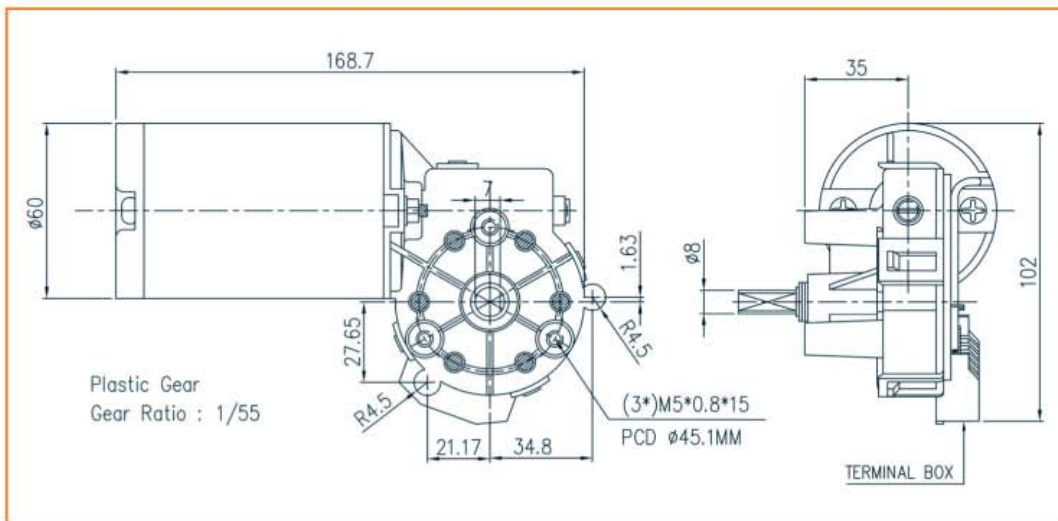


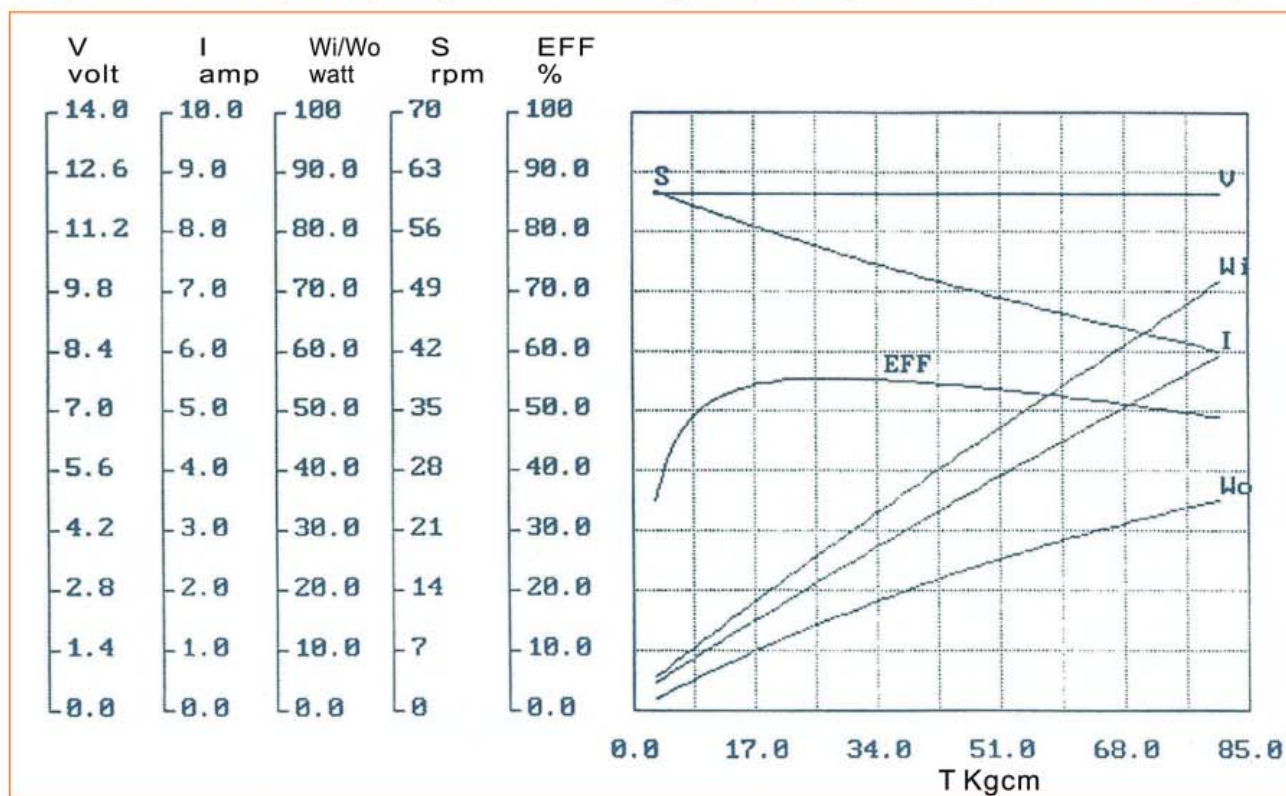


φ 61mm ,Plastic gear  
 Ratio (1/i) : 1/55  
 With encoder/brake available

**WG5539**



## 12VDC No Load 65rpm (RATIO : 1/55) Torque/Speed Performance Curve



NO	R.P.M.	VOLT(V)	I (AMP)	INPUT(W)	TORQUE (KG-CM)	OUTPUT (W)	EFF (%)
1	61	12.10	0.44	5.3	3.10	1.9	35.8
2	57	12.10	1.20	14.5	12.40	7.3	50.3
3	56	12.07	1.90	22.9	22.40	12.9	56.3
4	53	12.07	2.56	30.9	32.40	17.6	57.0
5	49	12.08	3.31	40.0	42.40	21.3	53.3
6	48	12.07	4.05	48.9	52.20	25.7	52.6
7	47	12.07	4.70	56.7	62.50	30.1	53.1
8	43	12.07	5.30	64.0	72.40	31.9	49.8
9	42	12.07	6.04	72.9	82.40	35.5	48.7

WORM GEAR