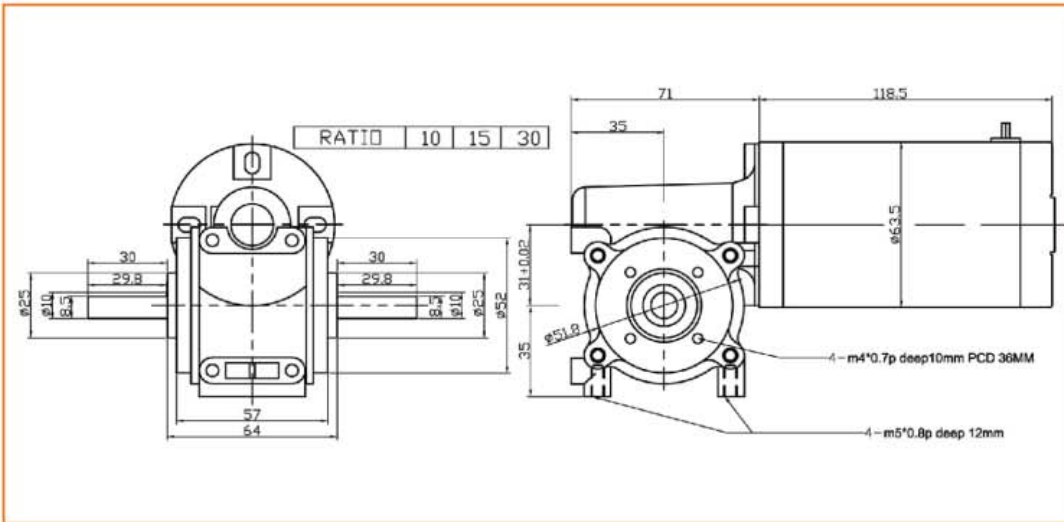


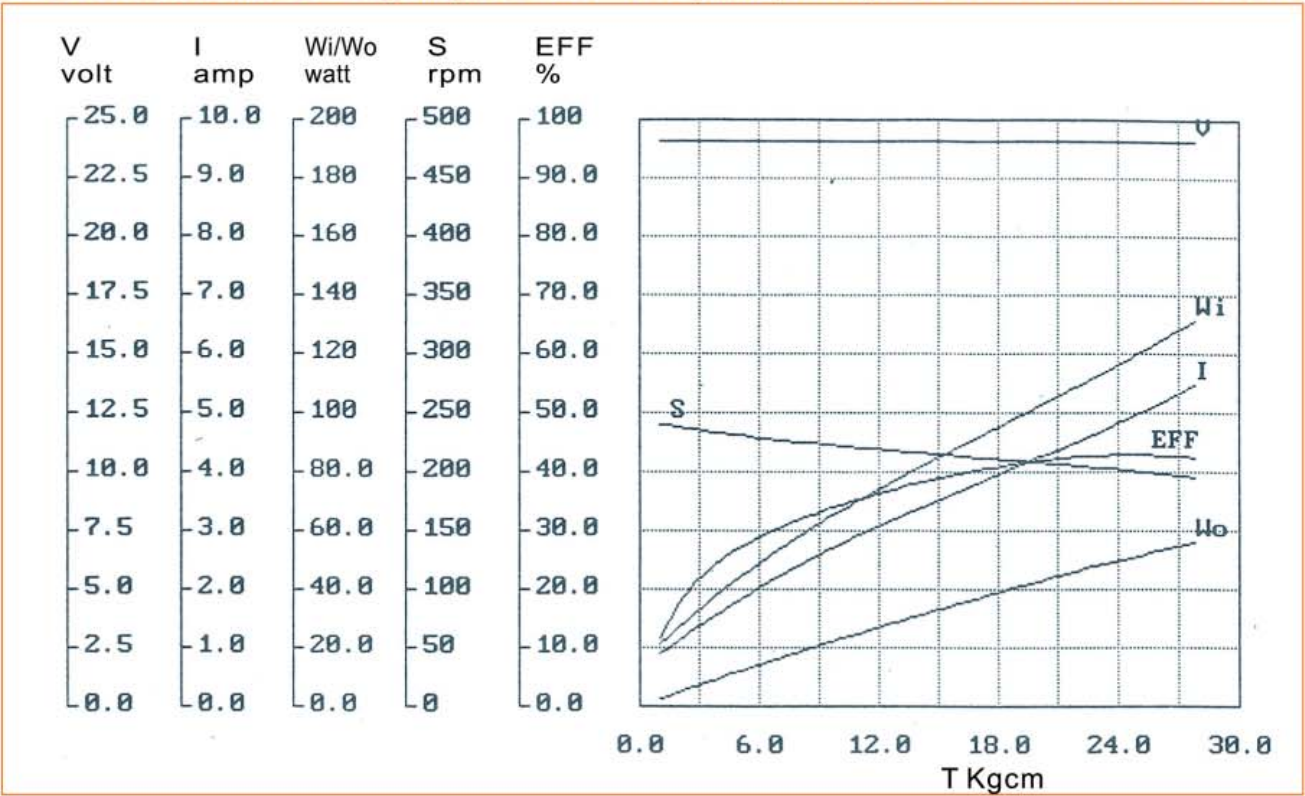


φ 63.5mm, Brass gear  
 Ratio (1/i) : 1/10 , 1/15 , 1/30  
 With encoder/brake available

WG5850



24VDC No Load 245rpm (RATIO : 1/15) Torque/Speed Performance Curve



NO	R.P.M.	VOLT (V)	I (AMP)	INPUT (W)	TORQUE (KG-CM)	OUTPUT (W)	EFF (%)
1	240	24.10	0.95	22.9	1.00	2.5	10.9
2	234	24.09	1.53	36.9	4.10	9.8	26.6
3	226	24.08	2.35	56.6	7.90	18.3	32.3
4	218	24.11	3.36	81.0	13.20	29.5	36.4
5	211	24.09	3.82	92.0	16.30	35.3	38.4
6	210	24.09	3.94	94.9	17.30	37.3	39.3
7	211	24.09	3.96	95.4	19.30	41.8	43.8
8	210	24.08	4.18	100.7	20.30	43.7	43.4
9	205	24.09	4.35	104.8	21.30	44.8	42.7
10	205	24.09	4.61	111.1	22.20	46.7	42.0
11	204	24.09	4.75	114.4	23.00	48.1	42.0
12	200	24.09	5.11	123.1	25.80	52.9	43.0
13	197	24.08	5.23	125.9	26.70	54.0	42.9
14	198	24.06	5.40	129.9	27.40	55.7	42.9
15	193	24.08	5.57	134.1	28.30	56.0	41.8

WORM GEAR