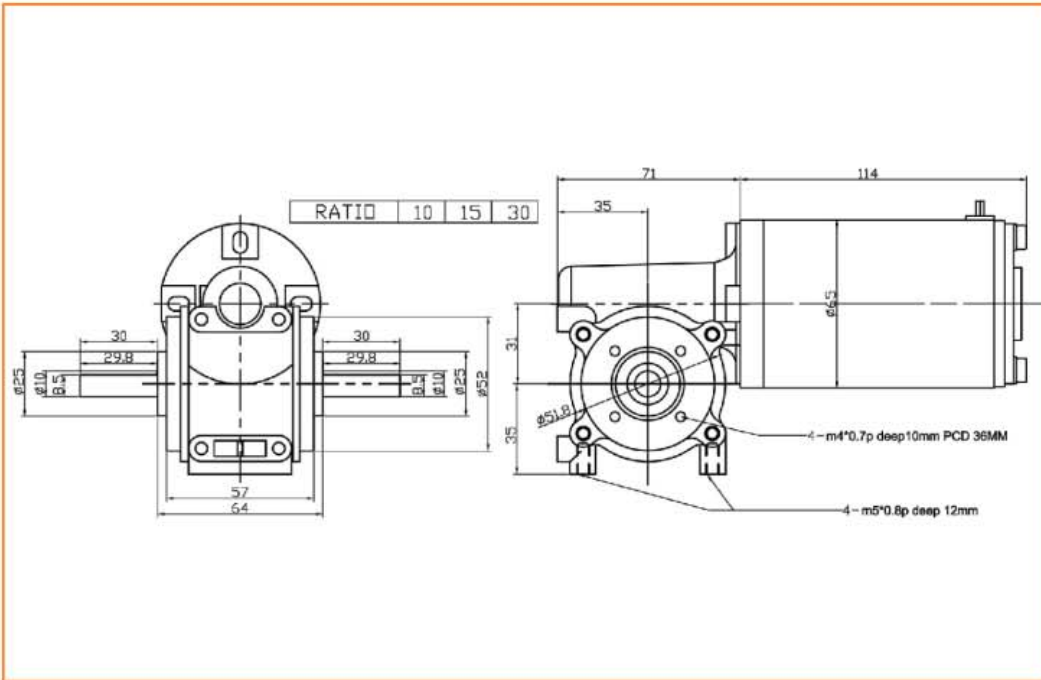


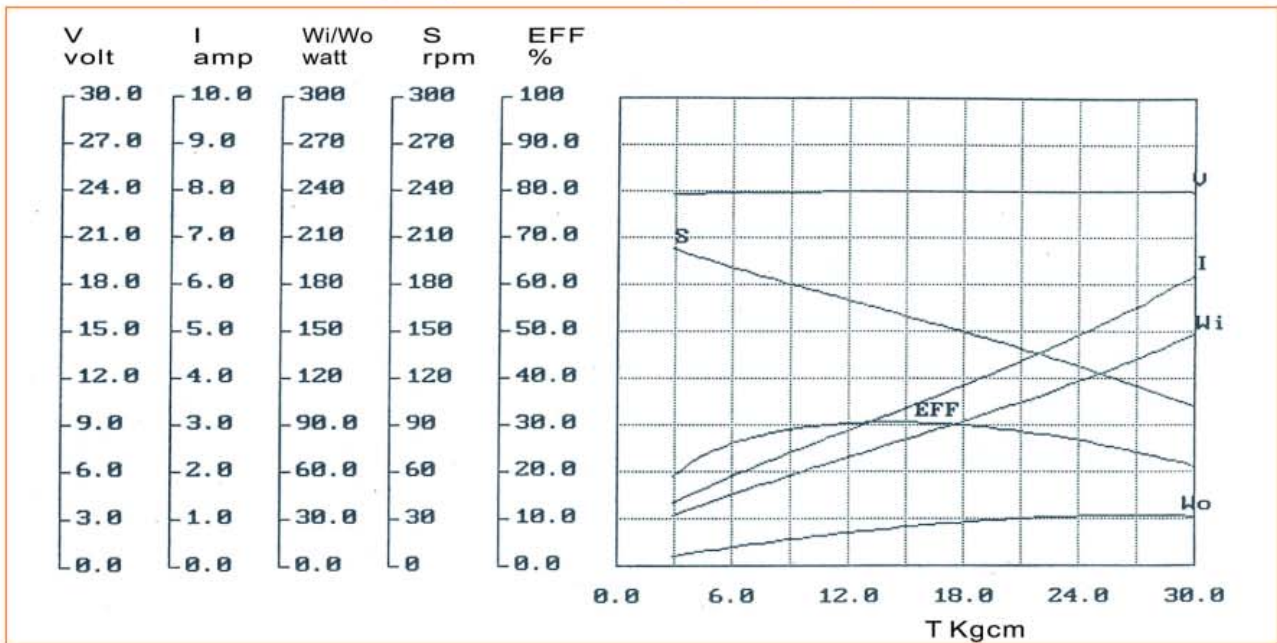


φ 64.5mm, Brass gear
 Ratio (1/i) : 1/10 , 1/15 , 1/30
 With encoder/brake available

WG5946



24VDC No Load 210rpm (RATIO : 1/15) Torque/Speed Performance Curve



WORM GEAR

NO	R.P.M.	VOLT (V)	I (AMP)	INPUT (W)	TORQUE (KG-CM)	OUTPUT (W)	EFF (%)
1	203	23.79	1.34	31.9	2.90	6.0	18.8
2	191	23.91	1.87	44.7	6.10	12.0	26.8
3	180	23.94	2.47	59.1	9.10	16.8	28.4
4	167	23.93	2.99	71.6	12.30	21.1	29.5
5	160	23.99	3.38	81.1	15.30	25.1	30.9
6	148	24.00	3.85	92.4	18.60	28.2	30.5
7	138	24.02	4.46	107.1	21.60	30.6	28.6
8	125	23.98	5.00	119.9	24.50	31.4	26.2
9	112	23.98	5.75	137.9	27.50	31.6	22.9
10	99	23.94	6.30	150.8	30.70	31.2	20.7