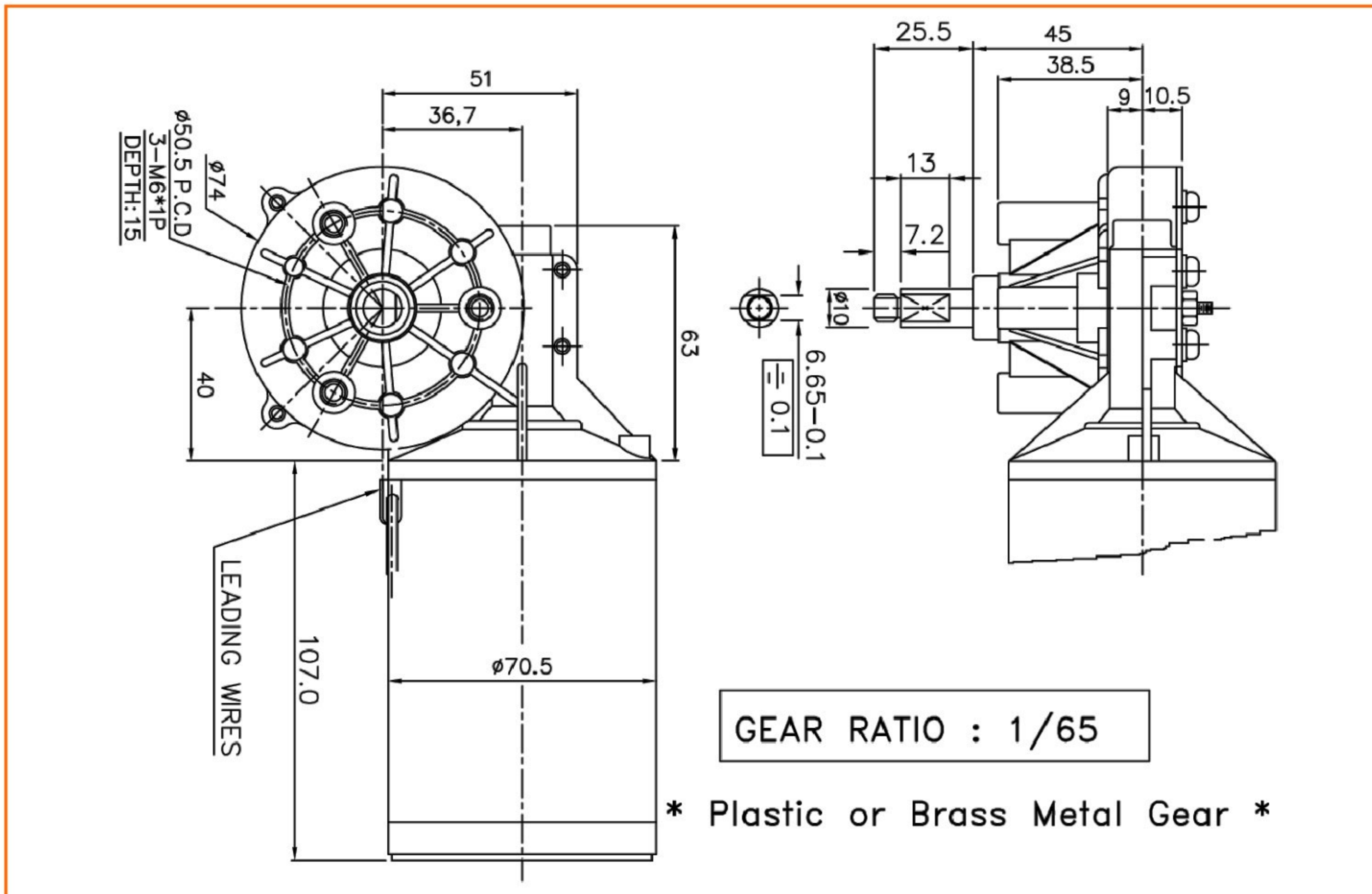


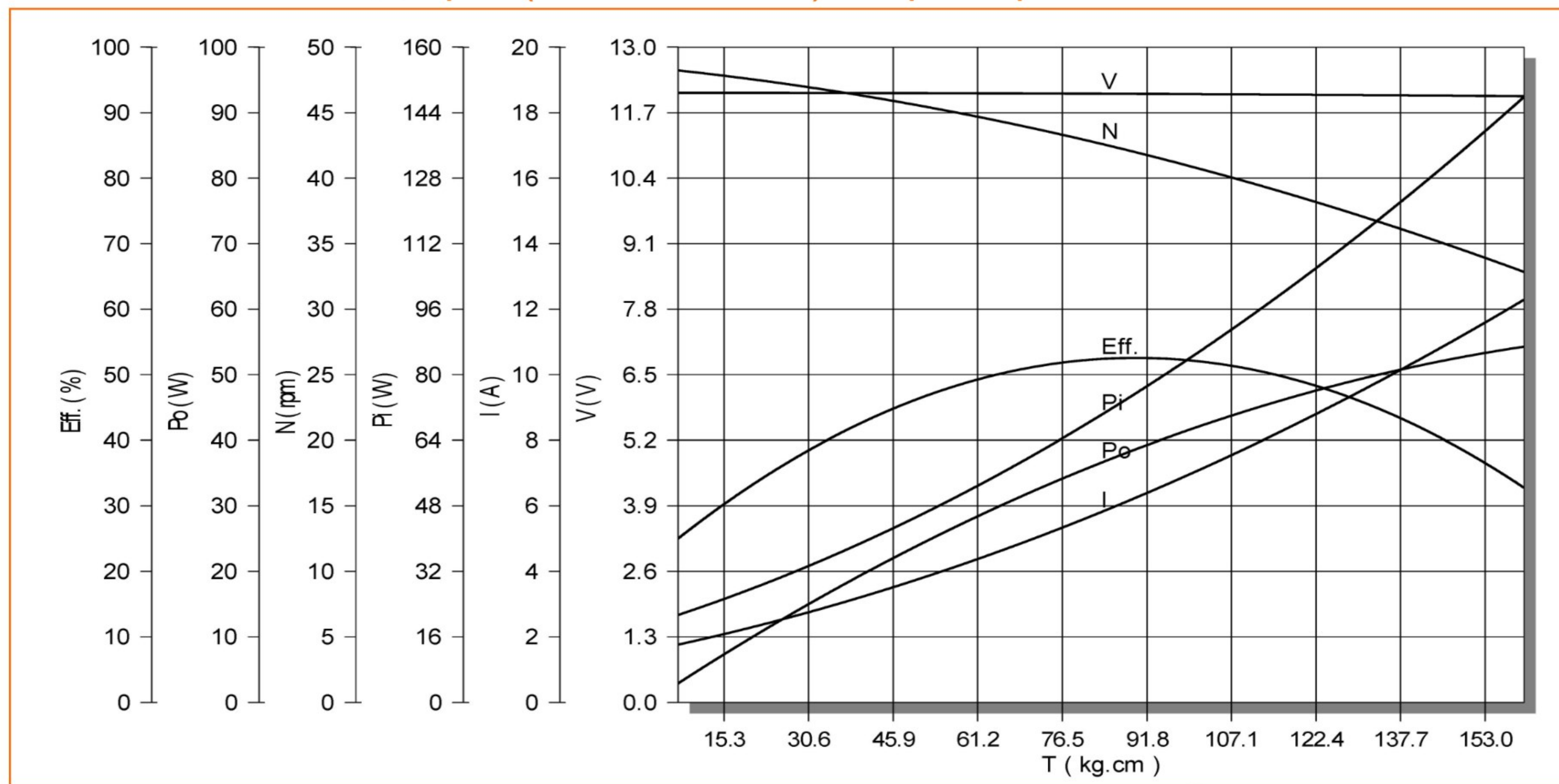


φ 70.5mm, Brass/plastic gear  
 Ratio (1/ i) : 1/65  
 With brake available  
 Left/Right Side output shaft option

WG6551R&L



12 VDC No Load 50 rpm (RATIO : 1/65) Torque/Speed Performance Curve



NO.	(V) VOLTAGE	(A) AMP.	(W) INPUT	(kg-cm) TORQUE	(rpm) SPEED	(W) OUTPUT	(%) EFF.
1	12.10	1.57	19.0	7.00	49	3.5	18.30
2	12.09	2.16	26.2	16.00	48	7.9	30.11
3	12.09	2.33	28.2	22.00	47	10.6	37.57
4	12.09	2.96	35.8	33.00	47	15.9	44.40
5	12.09	4.07	49.2	52.00	45	23.9	48.55
6	12.08	4.53	54.7	61.00	45	28.0	51.28
7	12.08	5.02	60.6	72.00	44	32.3	53.24
8	12.08	5.53	66.8	79.00	43	34.6	51.82
9	12.07	6.21	75.0	94.00	42	40.6	50.15
10	12.07	6.85	82.7	98.00	41	41.2	49.88
11	12.06	7.88	95.0	111.00	40	45.2	47.60
12	12.05	8.79	105.9	123.00	38	48.5	45.75
13	12.04	10.26	123.6	144.00	36	52.5	42.45
14	12.03	11.74	141.3	149.00	34	52.1	36.89
15	12.03	12.29	147.8	160.00	33	53.7	36.31

WORM GEAR