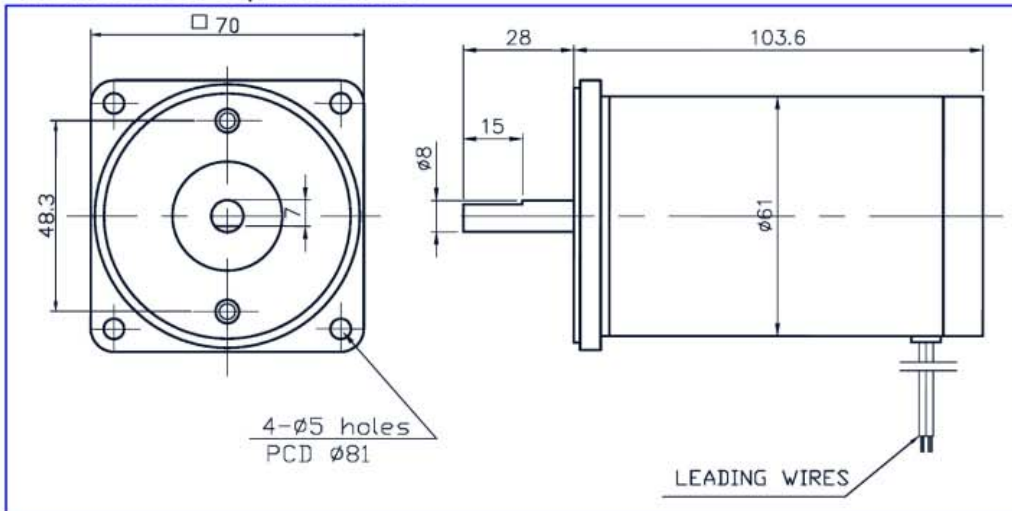


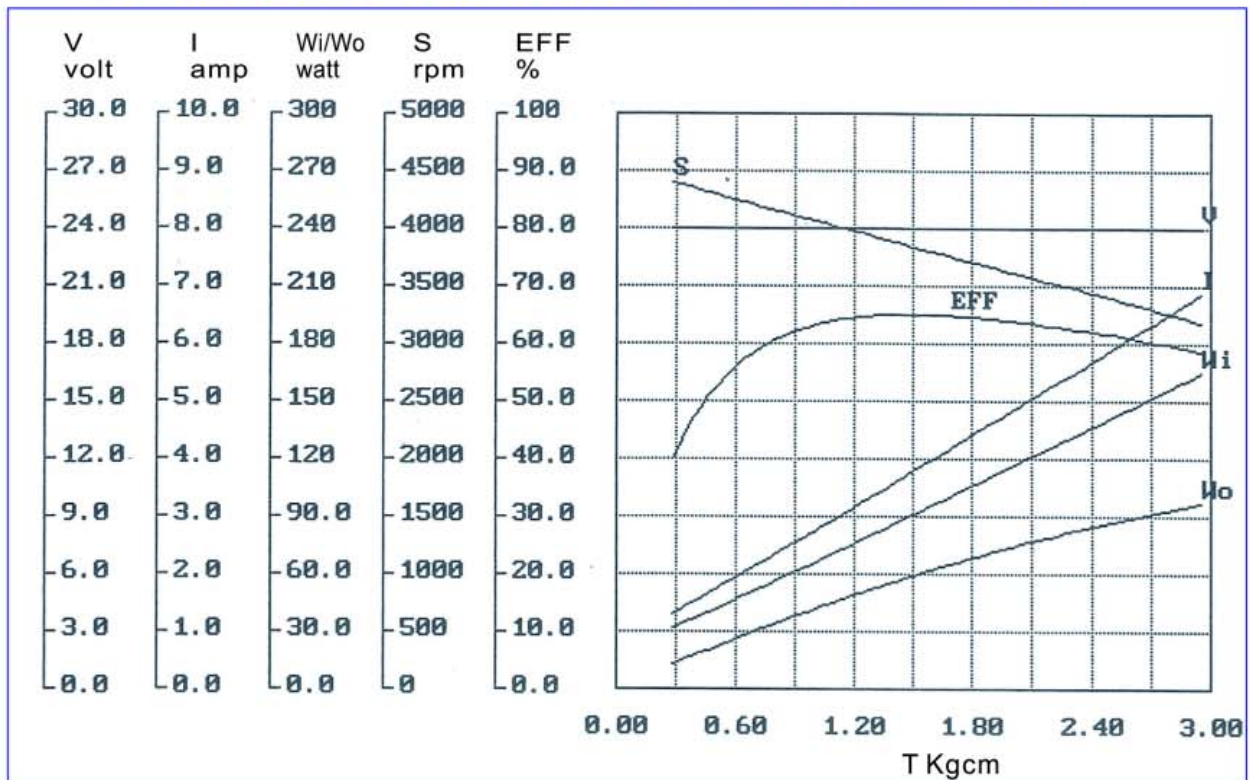


ϕ 61mm ,8-16 Ncm , 40W
 Weight : 1 Kg/pcs
 With encoder/brake available
 Front Cover : Square/Circle

F5539



24VDC No Load 4400rpm Torque/Speed Performance Curve



NO	R.P.M.	VOLT (V)	I (AMP)	INPUT (W)	TORQUE (KG-CM)	OUTPUT (W)	EFF (%)
1	4400	24.03	1.32	31.7	0.28	12.6	39.7
2	4263	24.03	1.90	45.7	0.58	25.4	55.6
3	4077	24.00	2.71	65.0	0.98	41.0	63.1
4	3942	24.03	3.32	79.8	1.28	51.8	64.9
5	3761	24.03	4.18	100.4	1.68	64.8	64.5
6	3624	24.03	4.81	115.6	1.99	74.0	64.0
7	3488	24.00	5.45	130.8	2.29	82.0	62.7
8	3305	24.01	6.30	151.3	2.70	91.6	60.5
9	3163	24.00	6.96	167.0	3.00	97.4	58.3