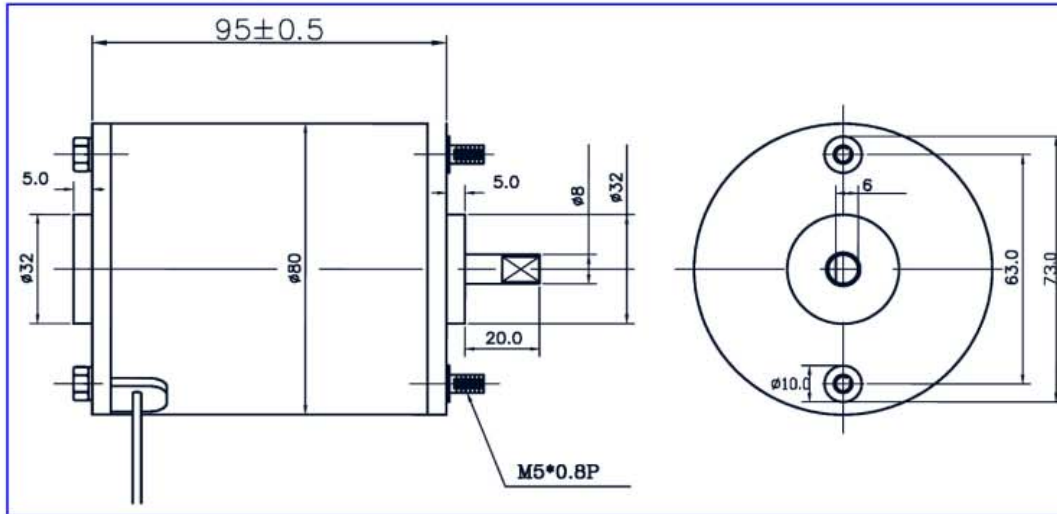




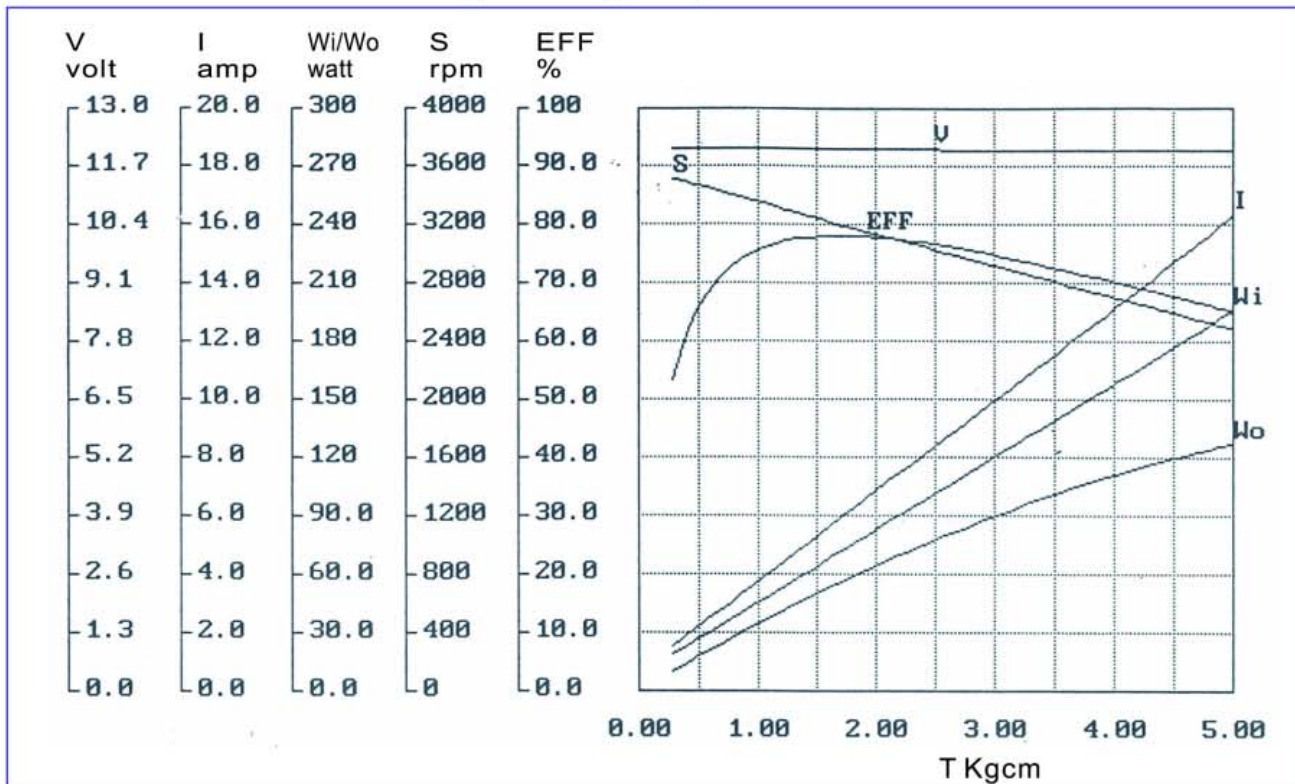
φ 80mm , 16-30 Ncm , 80W

Weight : 1.7 Kg/pcs

## KR7135



### 12VDC No Load 3500rpm Torque/Speed Performance Curve



NO	R.P.M.	VOLT(V)	I (AMP)	INPUT(W)	TORQUE (KG-CM)	OUTPUT (W)	EFF (%)
1	3513	12.10	1.55	18.8	0.28	10.1	53.7
2	3356	12.10	3.69	44.6	0.97	33.4	74.9
3	3201	12.07	5.84	70.5	1.68	55.2	78.3
4	3050	12.07	8.03	96.9	2.38	74.5	76.9
5	2876	12.07	10.55	127.3	3.19	94.1	73.9
6	2726	12.04	12.75	153.5	3.89	108.8	70.9
7	2575	12.04	14.99	180.5	4.59	121.3	67.2
8	2419	12.04	17.28	208.1	5.31	131.8	63.3
9	2261	12.01	19.63	235.8	6.04	140.1	59.4