

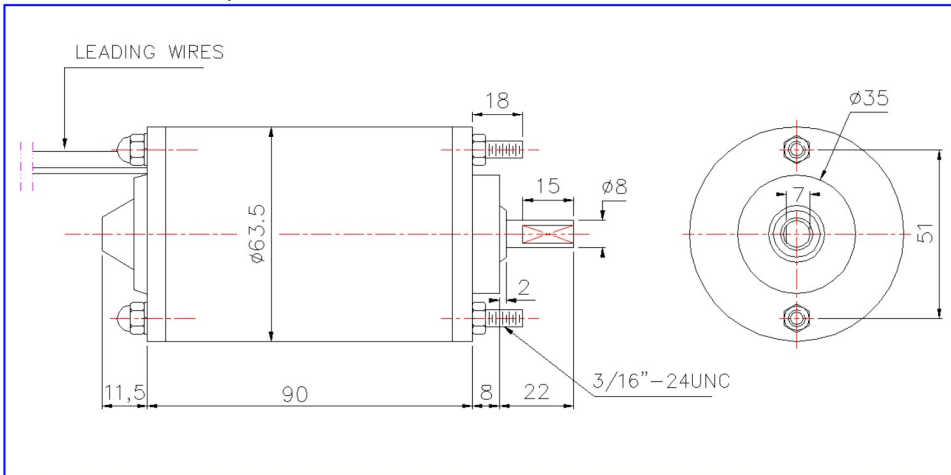


φ 63.5mm , 12-16 Ncm , 50W

Weight : 1.2 Kg/pcs

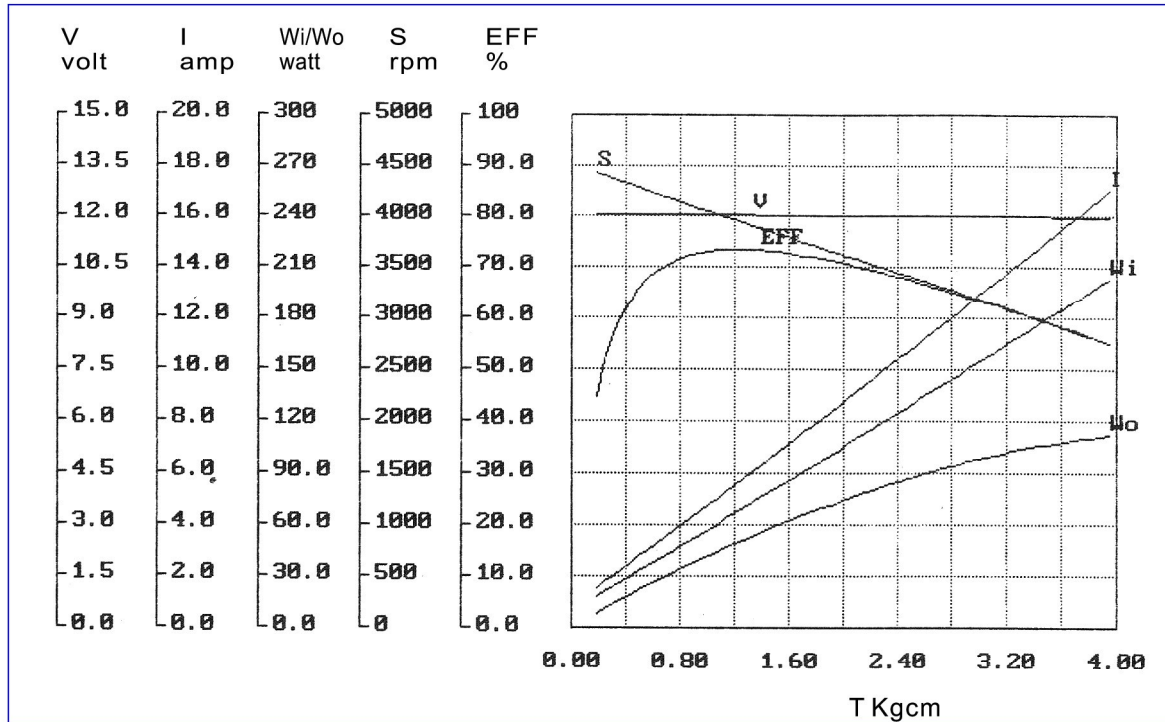
Front Cover : Square/Circle

M5844



N.W 1.2 KGS/PCS
 16 PCS A CTN/N.W. 19.2 KGS
 G.W. 20.2 KGS CFT. 1.8

12VDC No Load 4500rpm Torque/Speed Performance Curve



NO	R.P.M.	VOLT(V)	I (AMP)	INPUT(W)	TORQUE(KG-CM)	OUTPUT(W)	EFF(%)
1	4432	12.05	1.53	18.4	0.18	8.2	44.6
2	4297	12.04	2.63	31.7	0.47	20.7	65.3
3	4112	12.04	4.24	51.0	0.87	36.7	72.0
4	3973	12.04	5.43	65.4	1.17	47.7	72.9
5	3795	12.01	7.03	84.4	1.58	61.5	72.9
6	3665	12.01	8.25	99.1	1.88	70.7	71.3
7	3496	12.00	9.91	118.9	2.29	82.1	69.0
8	3364	12.01	11.17	134.2	2.59	89.4	66.6
9	3189	11.99	12.88	154.4	3.00	98.2	63.6
10	3053	11.99	14.18	170.0	3.30	103.4	60.8
11	2871	11.96	15.93	190.5	3.71	109.3	57.4
12	2723	11.96	17.26	206.4	4.01	112.0	54.3

DC MOTOR