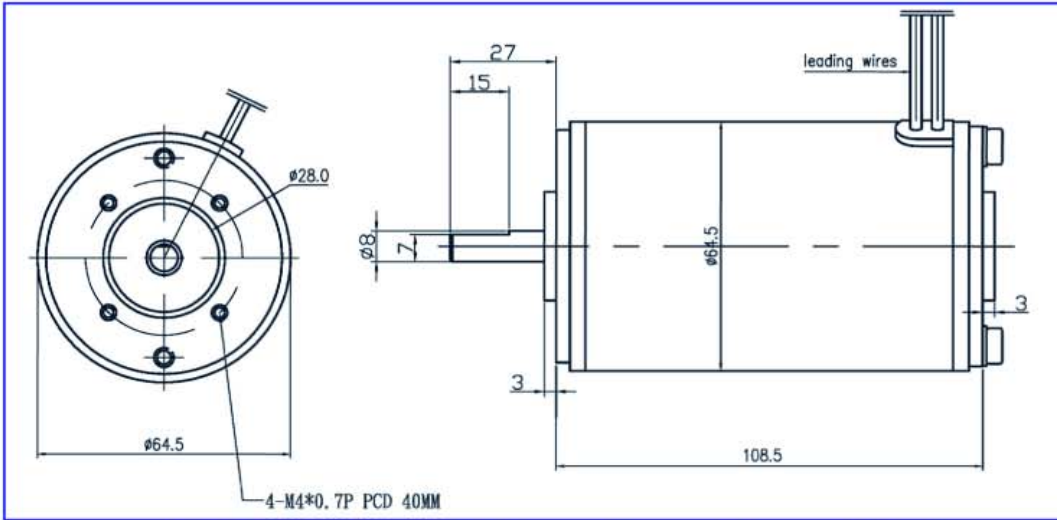


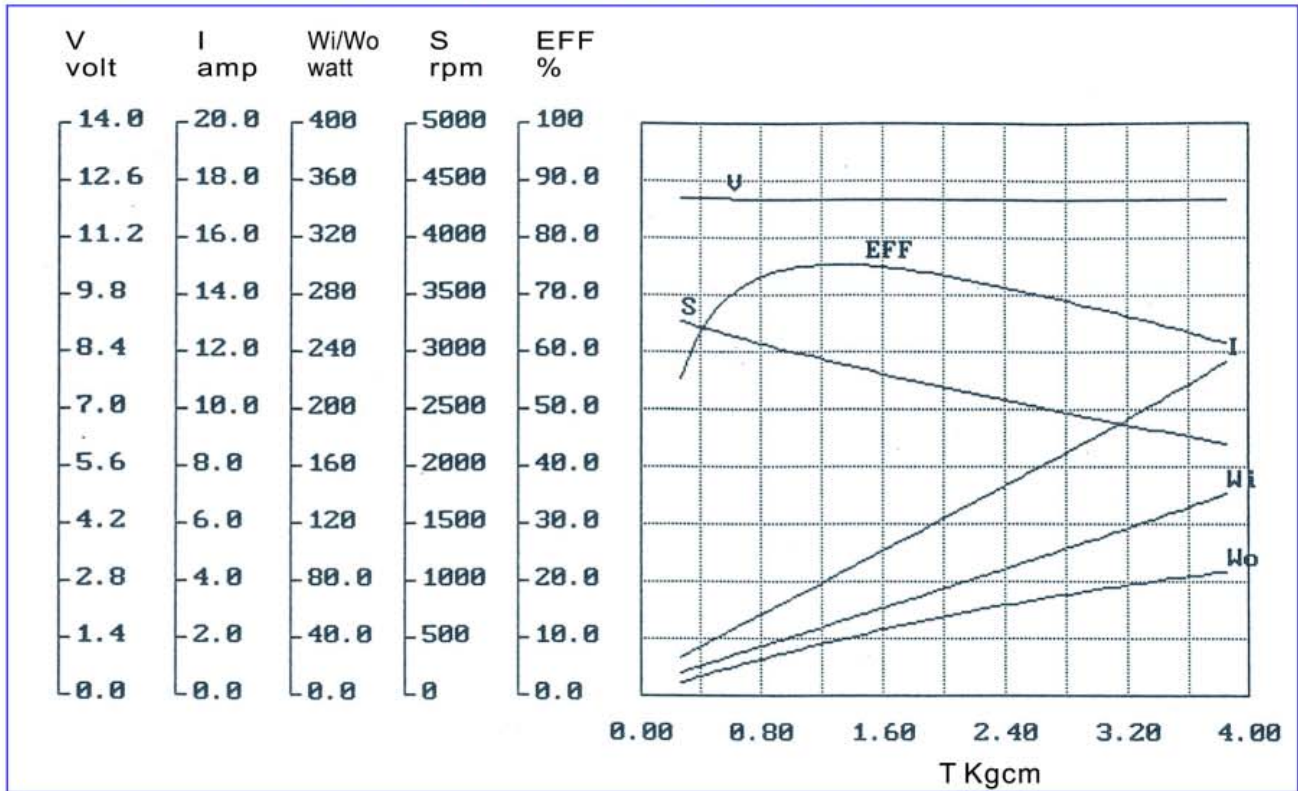


φ 64.5mm , 14-19 Ncm , 60W  
 Weight : 1.2 Kg/pcs  
 With encoder/brake available

## M5946



### 12VDC No Load 3300rpm Torque/Speed Performance Curve



DC MOTOR

NO	R.P.M.	VOLT(V)	I (AMP)	INPUT(W)	TORQUE (KG-CM)	OUTPUT(W)	EFF (%)
1	3268	12.16	1.34	16.3	0.27	9.1	55.8
2	3085	12.16	2.74	33.3	0.76	24.1	72.4
3	2952	12.14	3.78	45.9	1.15	34.8	75.8
4	2809	12.13	5.10	61.9	1.60	46.1	74.5
5	2671	12.13	6.40	77.6	2.07	56.7	73.1
6	2562	12.13	7.47	90.6	2.46	64.7	71.4
7	2403	12.10	9.23	111.7	3.05	75.2	67.3
8	2306	12.13	10.40	126.2	3.44	81.4	64.5
9	2187	12.13	11.83	143.5	3.91	87.7	61.1