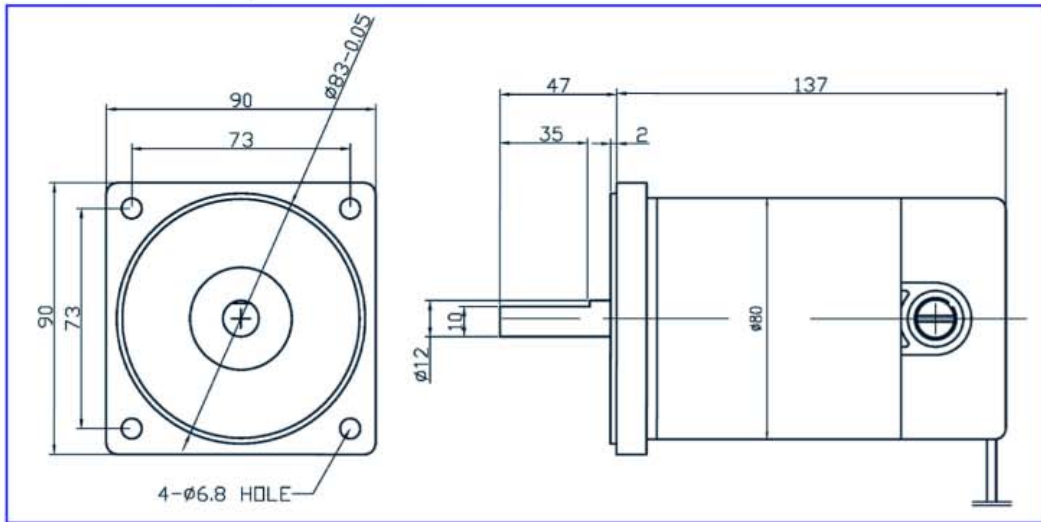
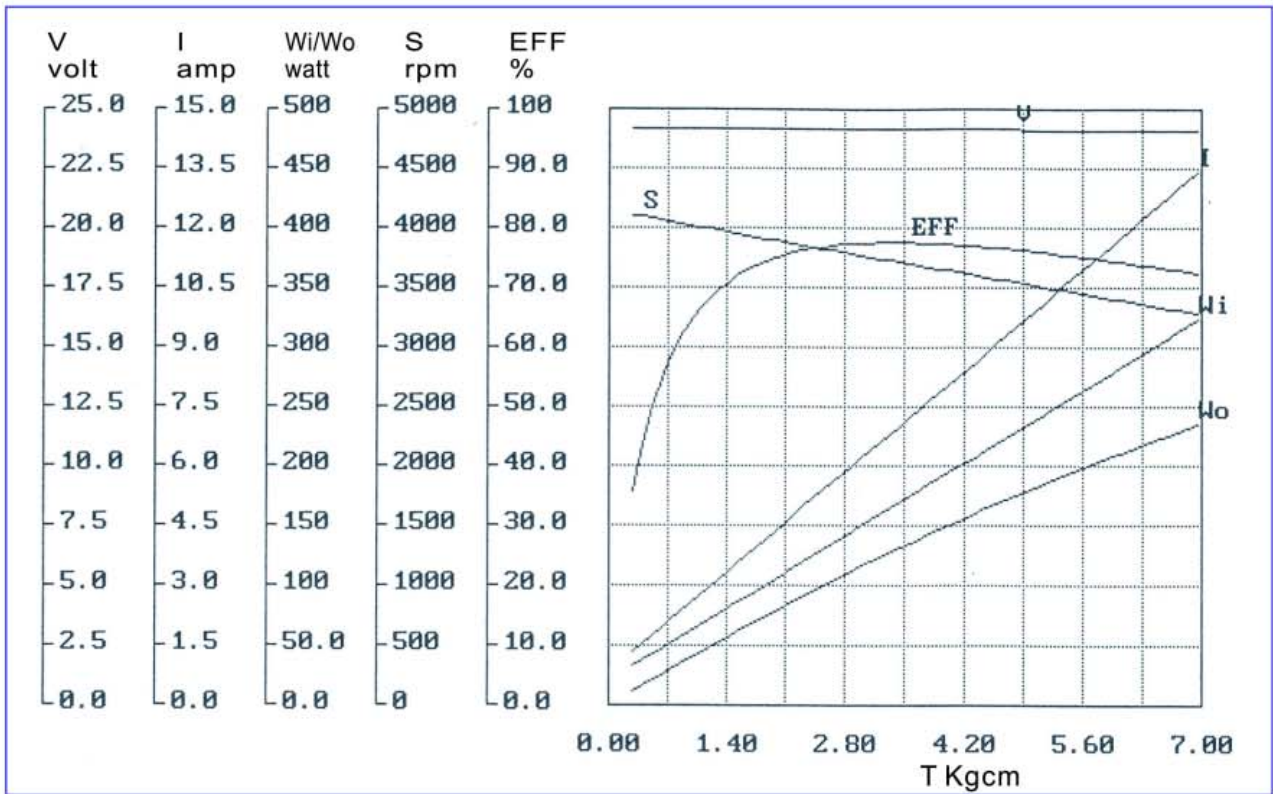


Φ 80mm ,26-36 Ncm , 120W
 Weight : 2.4 Kg/pcs
 With encoder/brake available
 Front Cover : Square/Circle

F7147H



24VDC No Load 4100rpm Torque/Speed Performance Curve



NO	R.P.M.	VOLT (V)	I (AMP)	INPUT (W)	TORQUE (KG-CM)	OUTPUT (W)	EFF (%)
1	4105	24.18	1.37	33.1	0.28	11.8	35.6
2	4008	24.13	2.76	66.6	1.08	44.4	66.7
3	3893	24.15	4.38	105.8	1.99	79.5	75.1
4	3791	24.15	5.86	141.5	2.80	108.9	77.0
5	3679	24.12	7.52	181.4	3.72	140.4	77.4
6	3581	24.12	8.99	216.8	4.53	166.4	76.8
7	3479	24.12	10.48	252.8	5.35	191.0	75.6
8	3370	24.12	12.14	292.8	6.26	216.4	73.9
9	3268	24.09	13.63	328.3	7.07	237.1	72.2

DC MOTOR