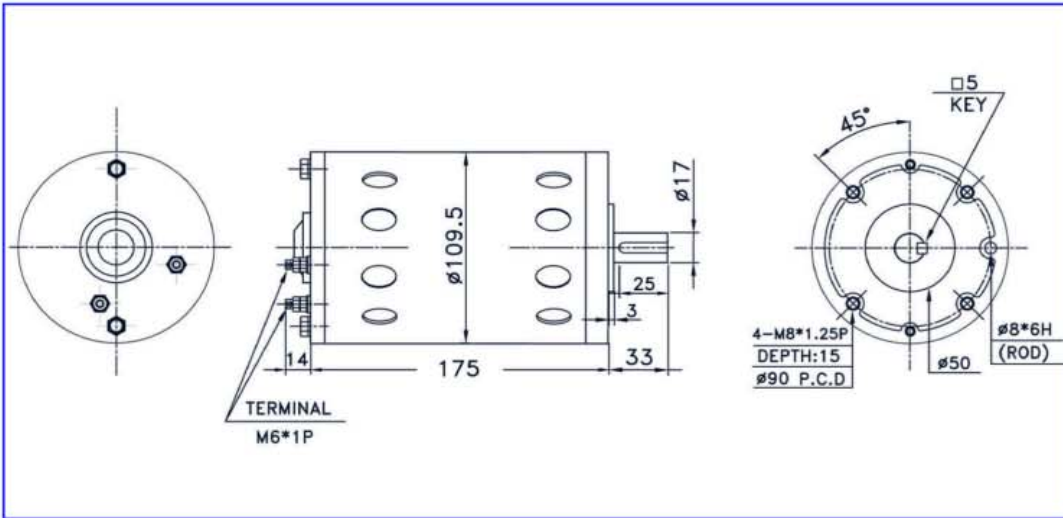




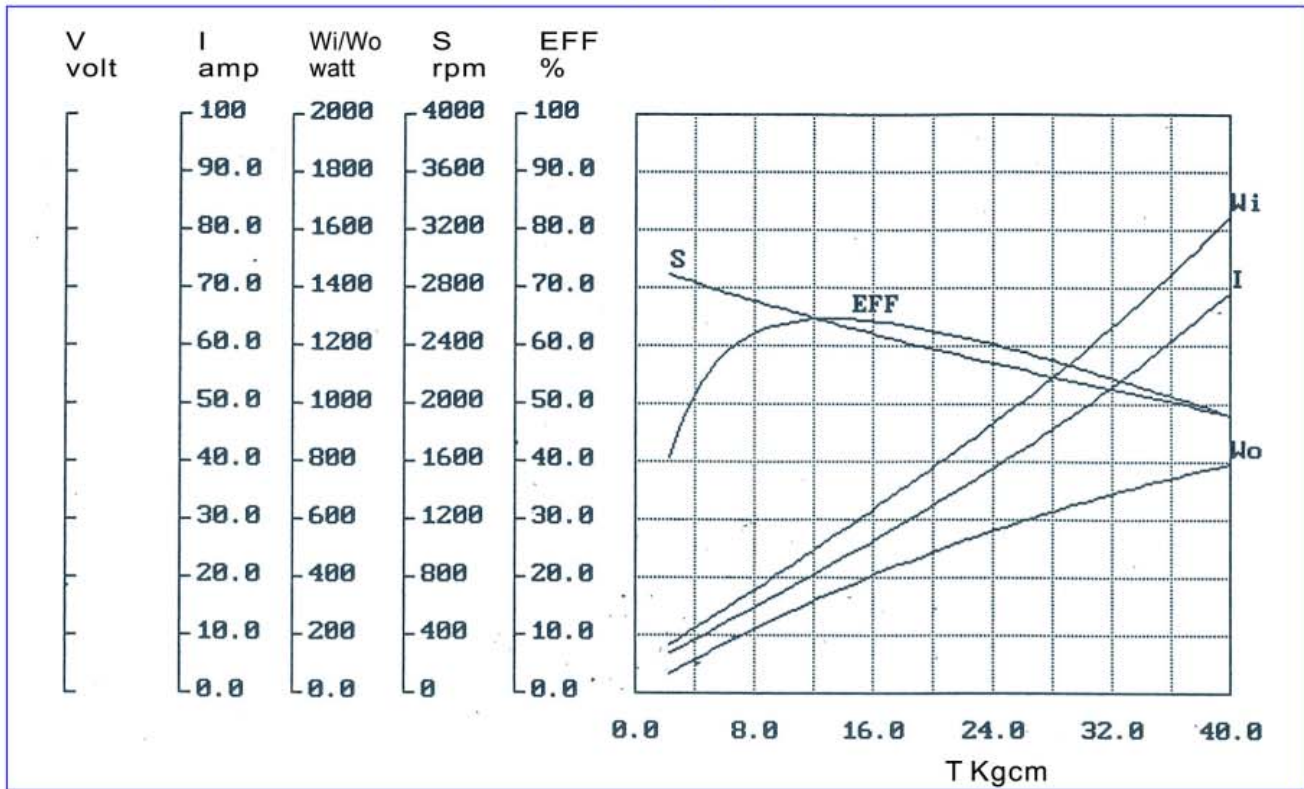
φ 109.5mm ,90-160 Ncm , 500W

Weight : 5 Kg/pcs

M1084



24VDC No Load 3000rpm Torque/Speed Performance Curve



NO	R.P.M.	VOLT (V)	I (AMP)	INPUT (W)	TORQUE (KG-CM)	OUTPUT (W)	EFF (%)
1	2886	24.18	6.86	165.9	2.30	68.1	41.0
2	2739	24.14	13.67	330.0	7.20	202.3	61.3
3	2595	24.09	20.80	501.1	12.00	319.5	63.8
4	2453	24.04	27.77	667.6	16.80	422.8	63.3
5	2335	24.03	34.58	831.0	21.60	517.5	62.3
6	2230	23.97	42.60	1021.1	26.40	604.0	59.2
7	2123	23.90	51.63	1234.0	31.30	681.8	55.3
8	2011	23.84	61.57	1467.8	36.10	744.8	50.7
9	1911	23.79	70.75	1683.1	40.90	801.9	47.6