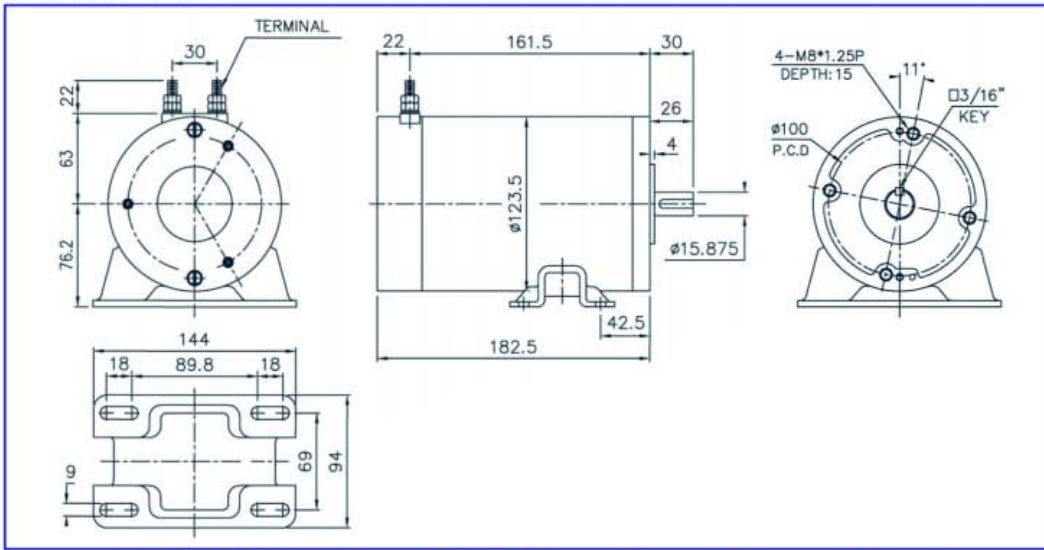


φ 123.5mm , 120-200 Ncm , 700W

Weight : 7.5 Kg/pcs

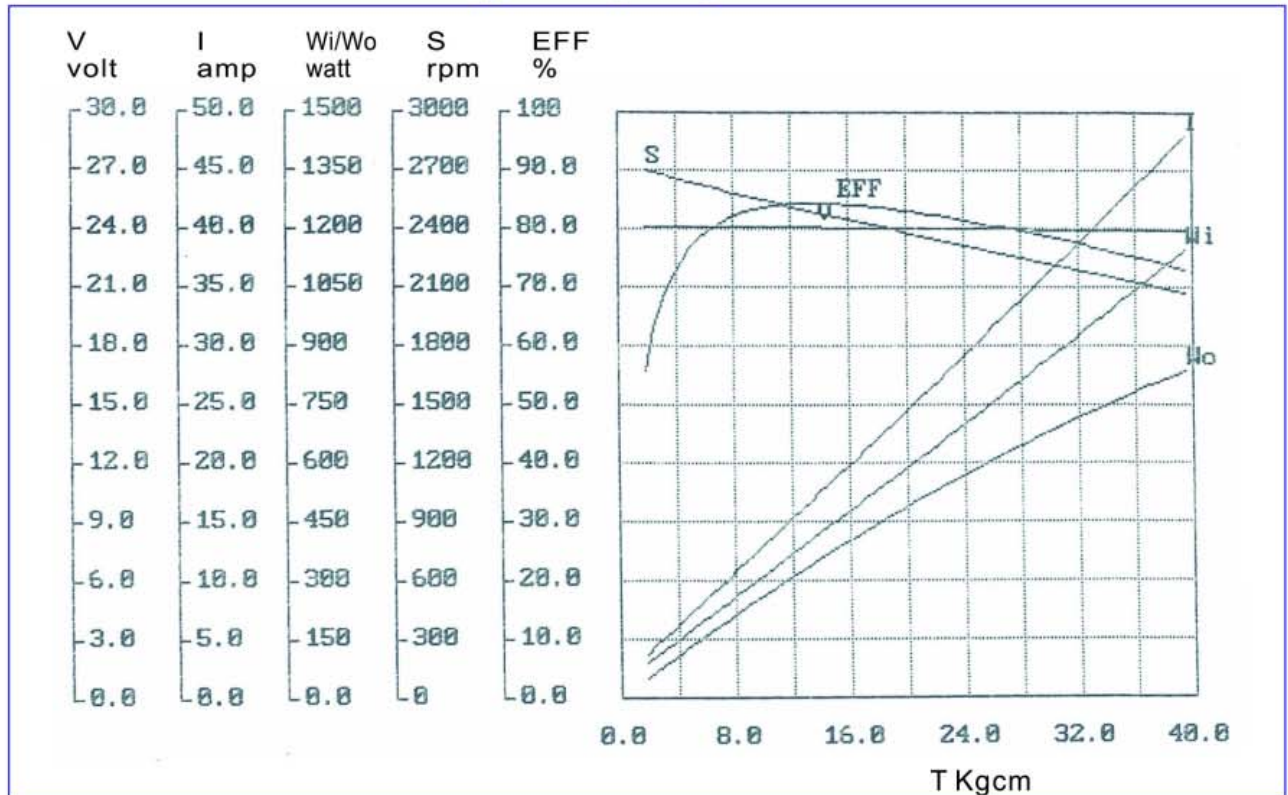
Stand : Option

M1188R



N.W 7.5 KGS/PCS
4 PCS A CTN/N.W. 28KGS
G.W. 27KGS CFT. 1.2

24VDC No Load 2800rpm Torque/Speed Performance Curve



NO	R.P.M.	VOLT(V)	I (AMP)	INPUT(W)	TORQUE (KG-CM)	OUTPUT(W)	EFF (%)
1	2700	24.12	3.70	89.2	1.80	49.9	55.9
2	2580	24.09	11.20	269.8	8.40	222.4	82.4
3	2507	24.08	15.78	380.0	12.40	319.0	83.9
4	2442	24.03	20.15	484.2	16.30	408.4	84.3
5	2373	24.00	24.93	598.3	20.40	496.7	83.0
6	2307	23.98	29.56	708.8	24.30	575.2	81.2
7	2246	23.95	34.04	815.3	28.20	649.8	79.7
8	2182	23.94	39.04	934.6	32.20	720.9	77.1
9	2118	23.91	43.88	1049.2	36.20	786.7	75.0
10	2055	23.87	48.69	1162.2	40.10	845.5	72.7