

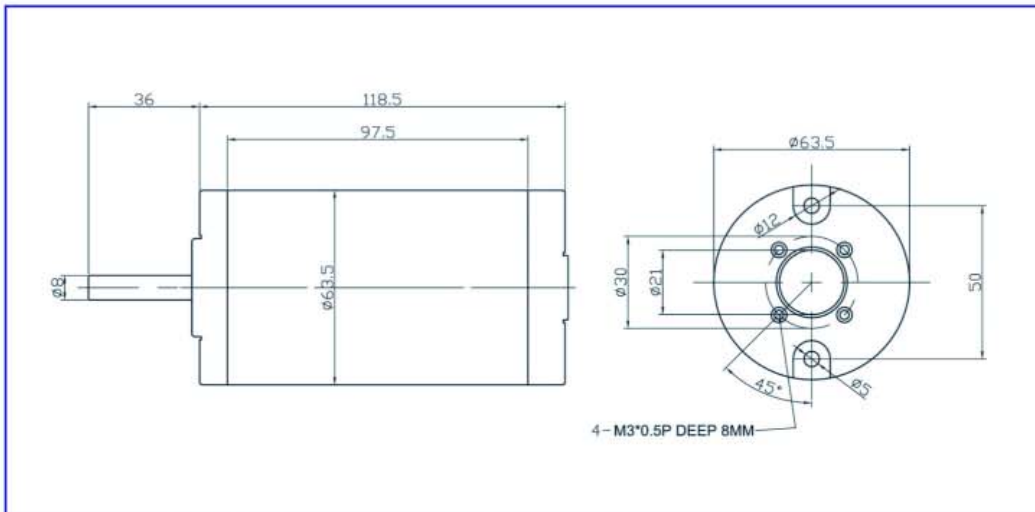


φ 63.5mm , 13-17 Ncm , 55W

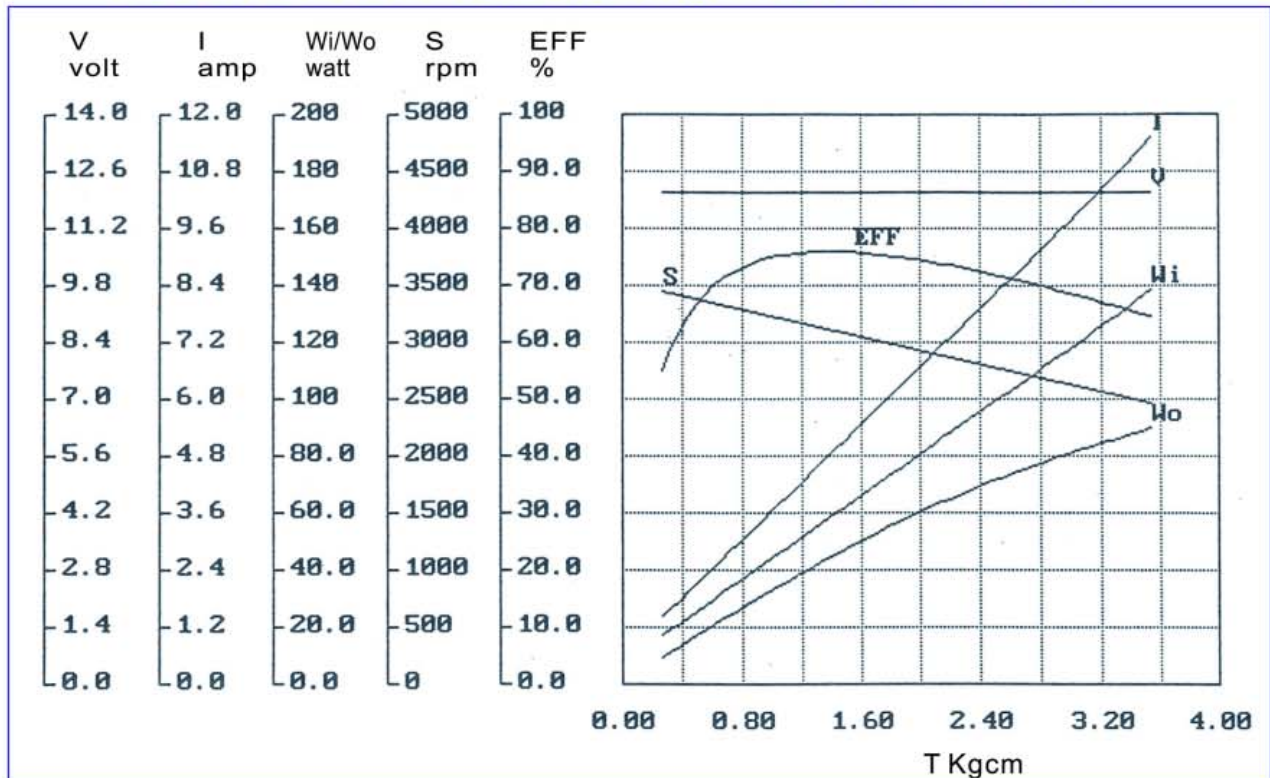
Weight : 1.2 Kg/pcs

With encoder/brake available

M5850



12VDC No Load 3600rpm Torque/Speed Performance Curve



NO	R.P.M.	VOLT(V)	I (AMP)	INPUT (W)	TORQUE (KG-CM)	OUTPUT (W)	EFF (%)
1	3452	12.10	1.44	17.4	0.27	9.6	55.2
2	3301	12.10	2.92	35.3	0.76	25.7	72.8
3	3183	12.10	4.14	50.1	1.16	37.9	75.6
4	3041	12.07	5.62	67.8	1.65	51.5	76.0
5	2889	12.07	7.13	86.1	2.14	63.4	73.6
6	2773	12.07	8.38	101.1	2.54	72.3	71.5
7	2653	12.07	9.60	115.9	2.93	79.8	68.9
8	2636	12.07	9.61	116.0	2.97	80.3	69.2
9	2459	12.06	11.70	141.1	3.59	90.6	64.2