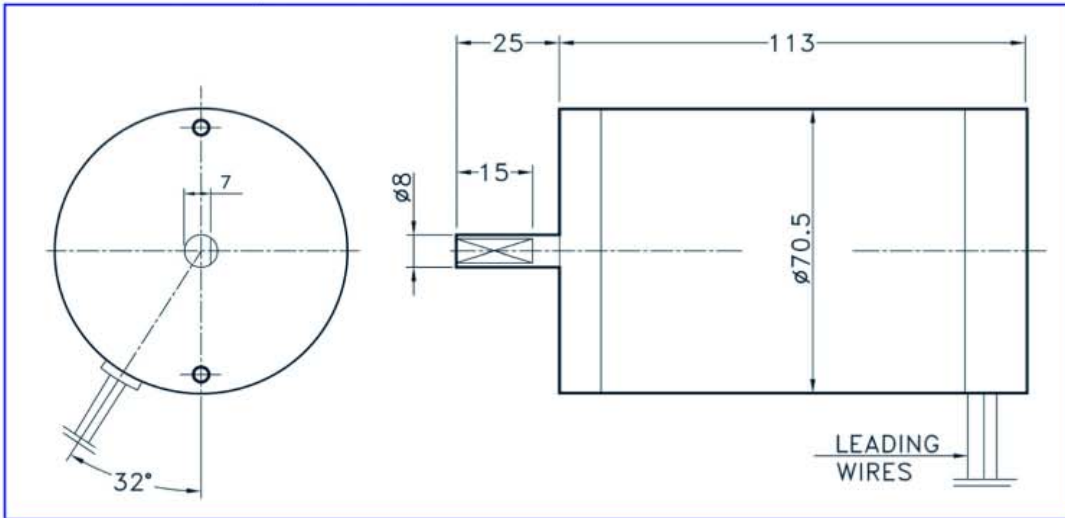


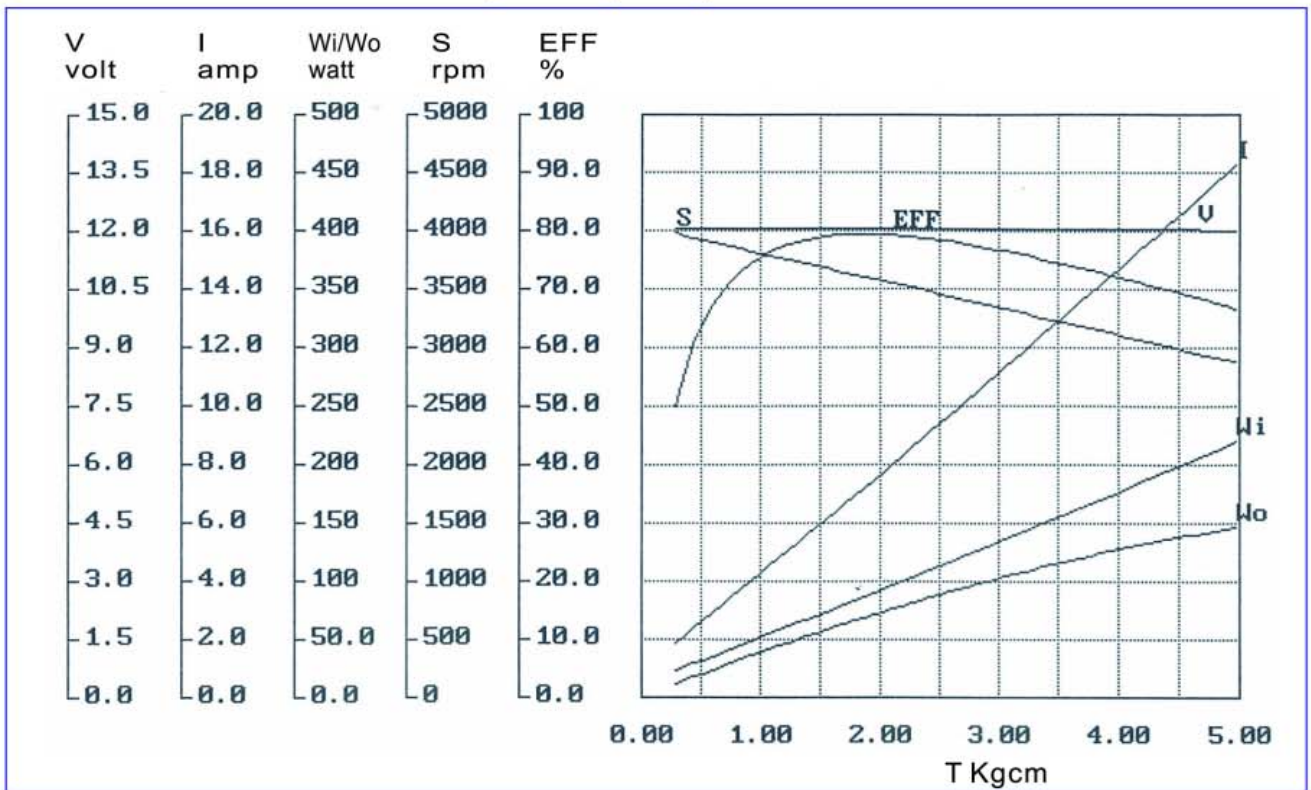


$\phi$  70.5mm , 15-28 Ncm , 70W  
 Weight : 1.5 Kg/pcs  
 With encoder/brake available  
 Front Cover : Square/Circle

**M6551**



## 12VDC No Load 4000rpm Torque/Speed Performance Curve



NO	R.P.M.	VOLT (V)	I (AMP)	INPUT (W)	TORQUE (KG-CM)	OUTPUT (W)	EFF (%)
1	3976	12.06	1.88	22.7	0.28	11.4	50.2
2	3858	12.07	3.57	43.1	0.78	30.9	71.7
3	3736	12.04	5.25	63.2	1.28	49.1	77.7
4	3595	12.05	7.30	88.0	1.89	69.7	79.2
5	3483	12.06	9.01	108.7	2.40	85.8	78.9
6	3366	12.04	10.79	129.9	2.91	100.5	77.4
7	3245	12.04	12.60	151.7	3.41	113.5	74.8
8	3105	12.03	14.79	177.9	4.02	128.1	72.0
9	2984	12.04	16.65	200.5	4.53	138.7	69.2
10	2857	12.01	18.53	222.5	5.04	147.7	66.4

DC MOTOR