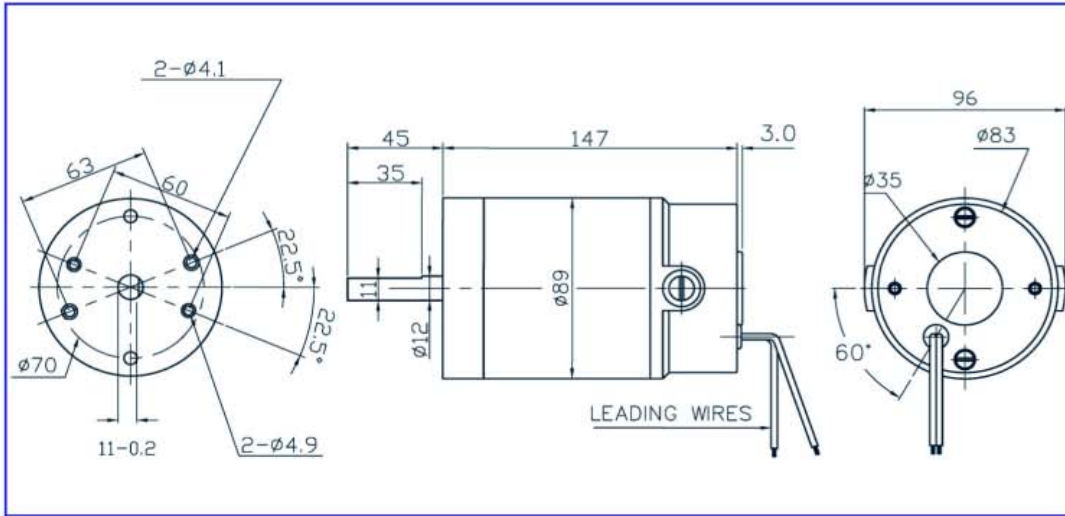


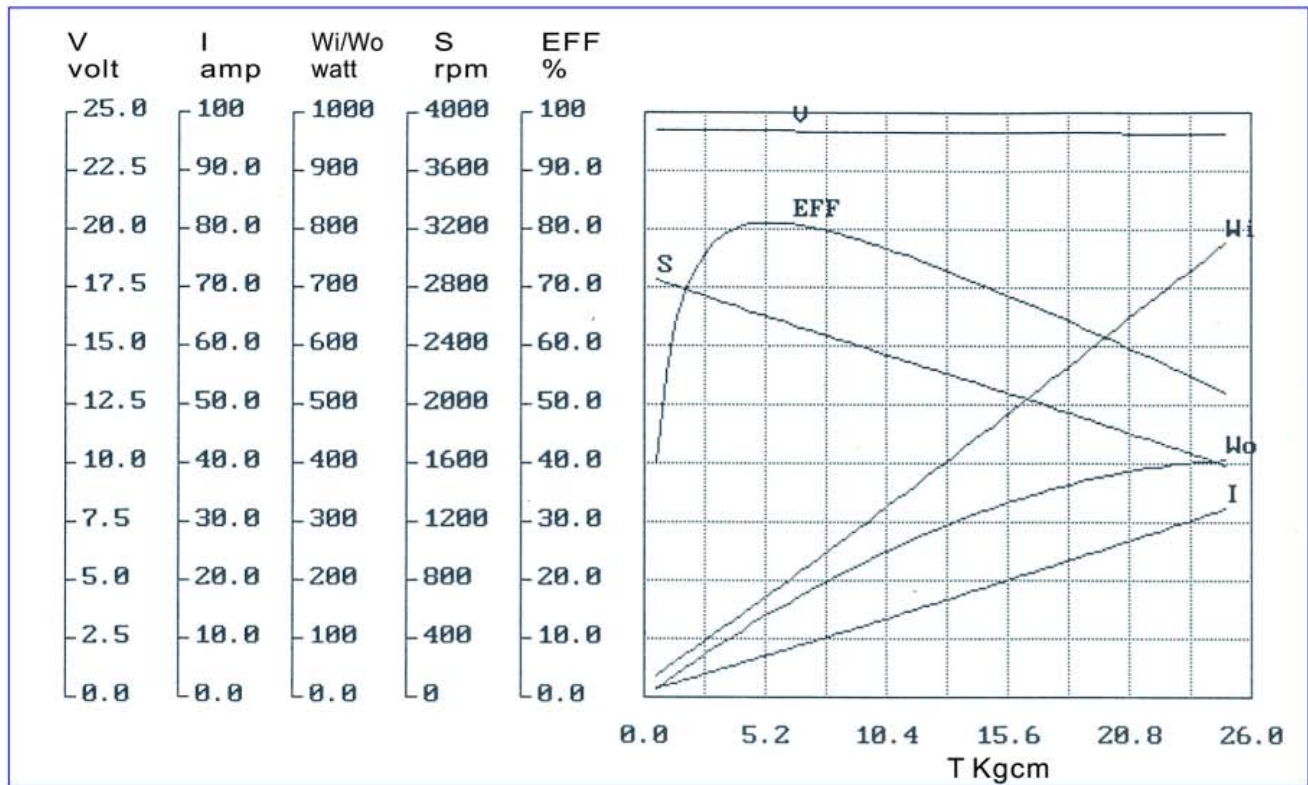


φ 89mm ,45-80 Ncm , 250W
 Weight : 2.6 Kg/pcs
 With brake available

M8156



24VDC No Load 2800rpm Torque/Speed Performance Curve



NO	R.P.M.	VOLT(V)	I(AMP)	INPUT(W)	TORQUE(KG-CM)	OUTPUT(W)	EFF(%)
1	2854	24.25	1.46	35.4	0.50	14.6	41.2
2	2677	24.23	5.54	134.2	3.80	104.4	77.8
3	2495	24.21	9.52	230.5	7.30	186.9	81.0
4	2292	24.17	14.68	354.8	11.40	268.1	75.6
5	2117	24.15	19.12	461.7	14.90	323.6	70.1
6	2117	24.17	19.03	460.0	14.80	321.5	69.9
7	1957	24.15	23.28	562.2	18.00	361.4	64.3
8	1771	24.12	27.84	671.5	21.60	392.5	58.5
9	1563	24.07	32.86	790.9	25.30	405.7	51.3