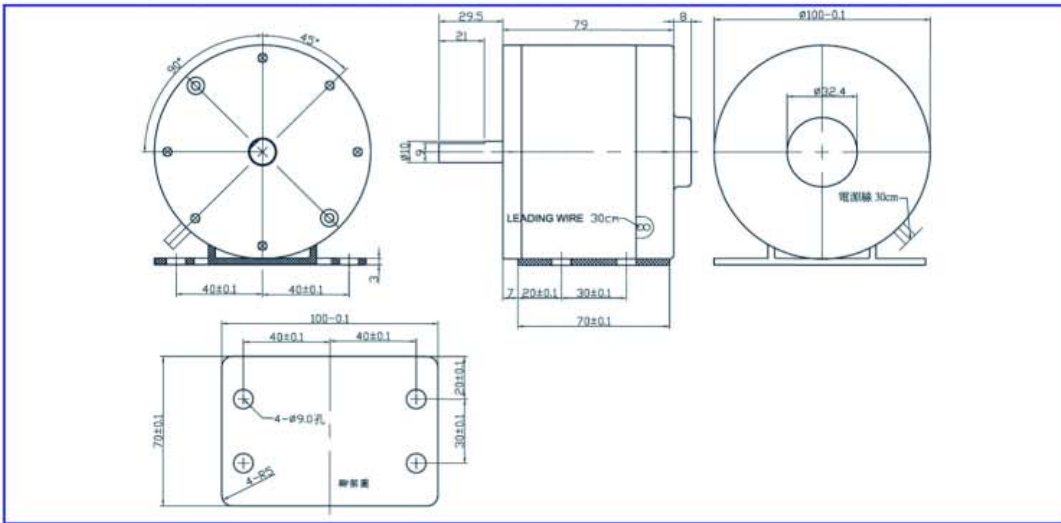
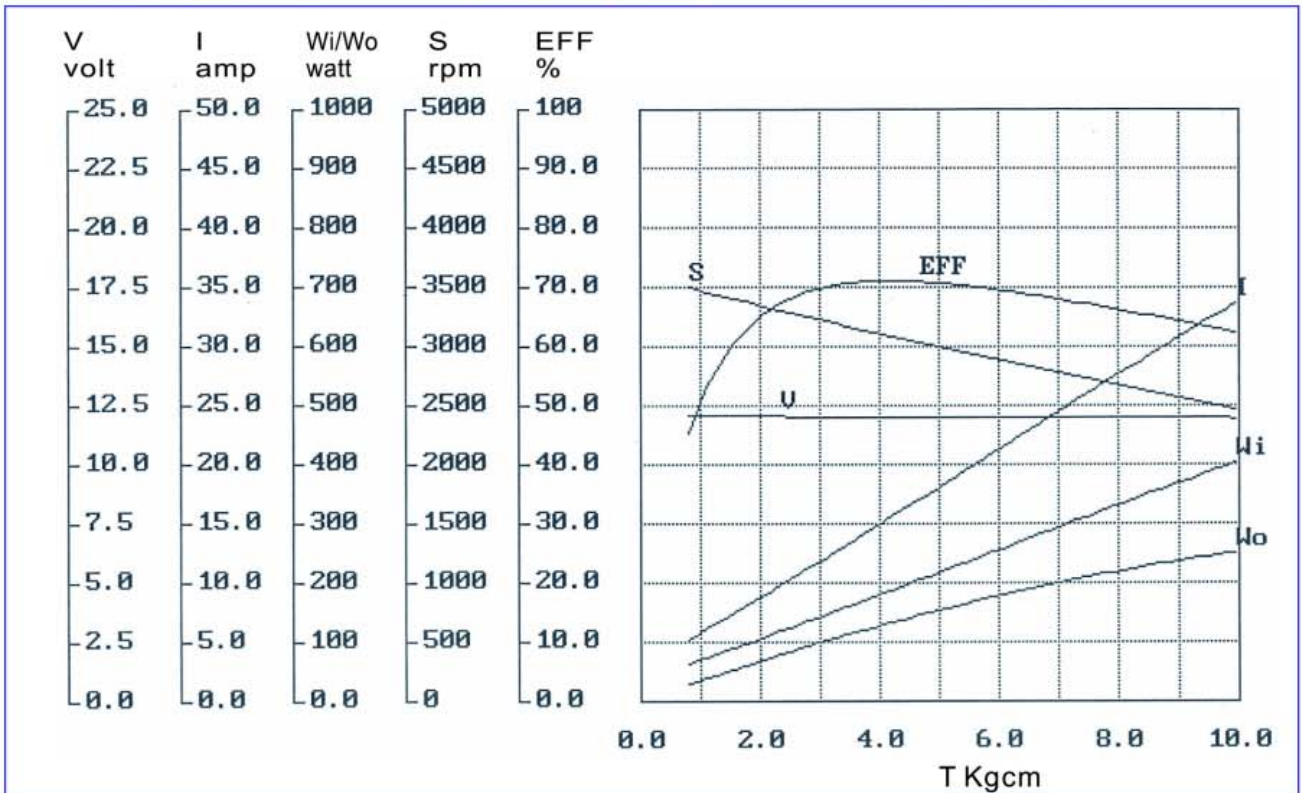


φ 100mm ,40-60 Ncm , 150W
 Weight : 2 Kg/pcs
 Stand : Option

M9480T



12VDC No Load 3600rpm Torque/Speed Performance Curve



1	3497	12.07	5.29	63.9	0.80	28.7	44.9
2	3350	12.07	8.67	104.6	2.00	68.7	65.7
3	3199	12.01	12.42	149.2	3.20	105.0	70.4
4	3077	12.01	15.97	191.8	4.30	135.8	70.8
5	2949	12.01	19.52	234.4	5.40	163.4	69.7
6	2828	12.01	23.09	277.3	6.60	191.5	69.1
7	2701	11.99	26.95	323.1	7.80	216.2	66.9
8	2571	11.96	30.56	365.5	8.90	234.8	64.2
9	2449	11.96	34.15	408.4	10.10	253.8	62.1

DC MOTOR