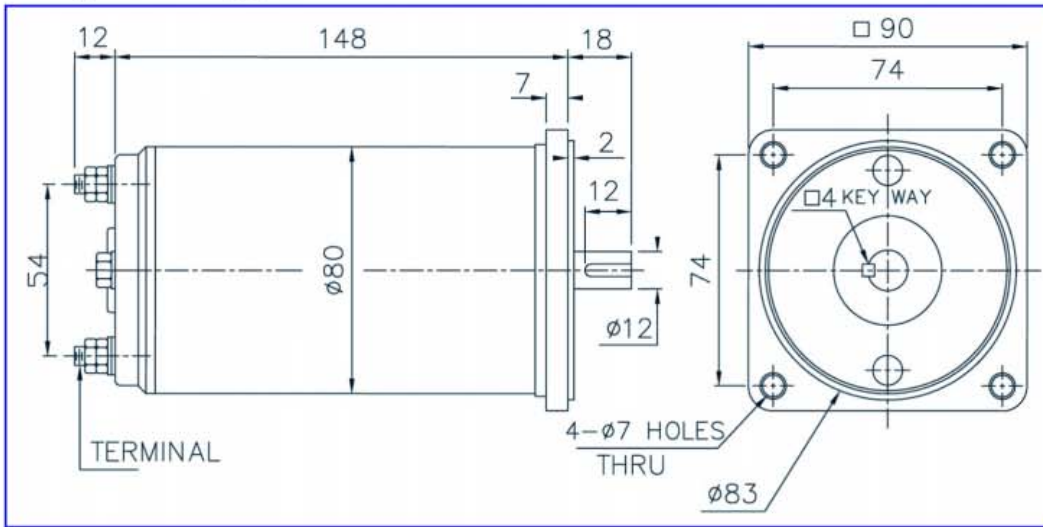
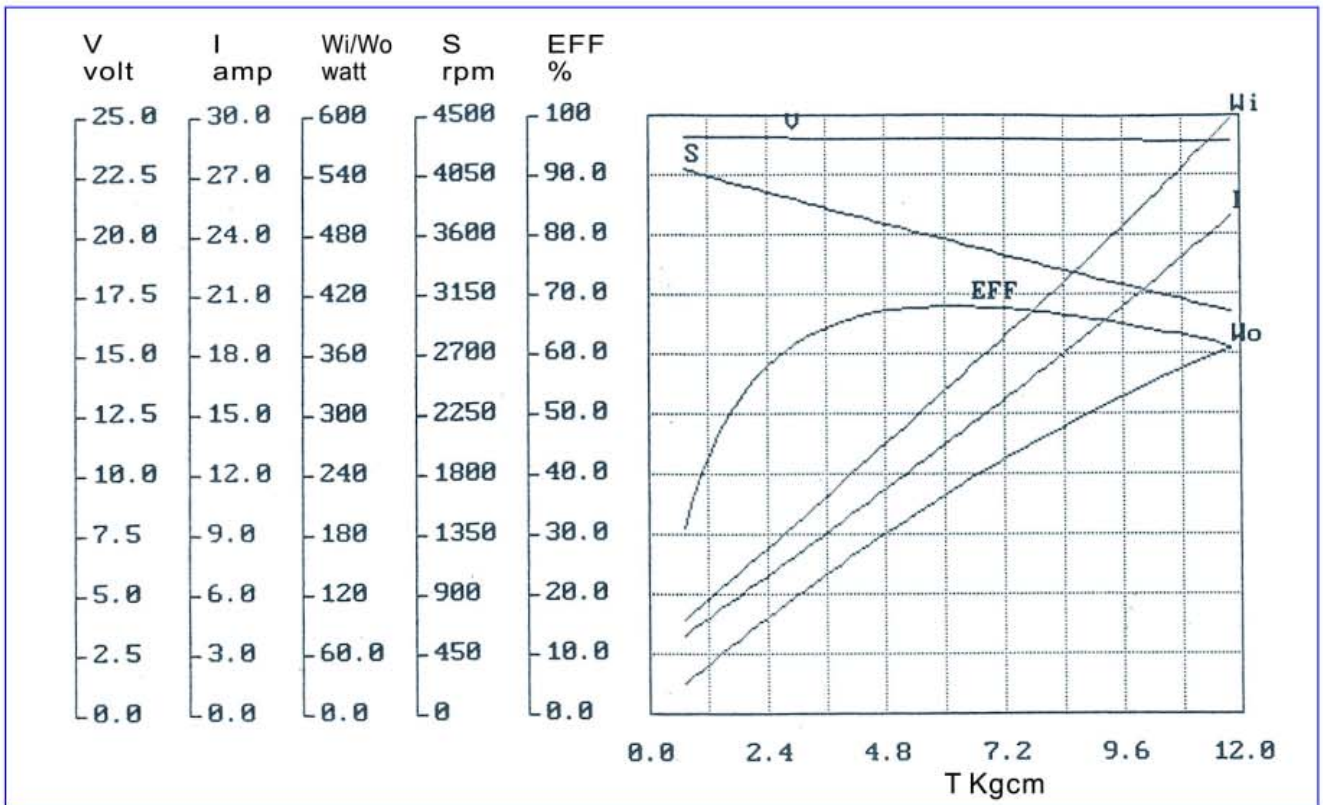


φ 80mm ,45-80 Ncm , 250W  
Weight : 2.6 Kg/pcs

MT7255-2



24VDC No Load 4100rpm Torque/Speed Performance Curve



NO	R.P.M.	VOLT(V)	I (AMP)	INPUT (W)	TORQUE (KG-CM)	OUTPUT (W)	EFF (%)
1	4092	24.08	3.99	96.1	0.70	29.4	30.6
2	3945	24.06	6.47	155.7	2.20	89.0	57.2
3	3799	24.03	9.08	218.2	3.60	140.3	64.3
4	3667	24.01	11.49	275.9	4.90	184.4	66.8
5	3525	24.00	14.16	339.8	6.40	231.5	68.1
6	3387	24.00	16.96	407.0	7.80	271.1	66.6
7	3252	23.97	19.70	472.2	9.30	310.3	65.7
8	3125	23.94	22.38	535.8	10.60	339.9	63.4
9	2990	23.92	25.37	606.9	12.00	368.1	60.7

DC MOTOR