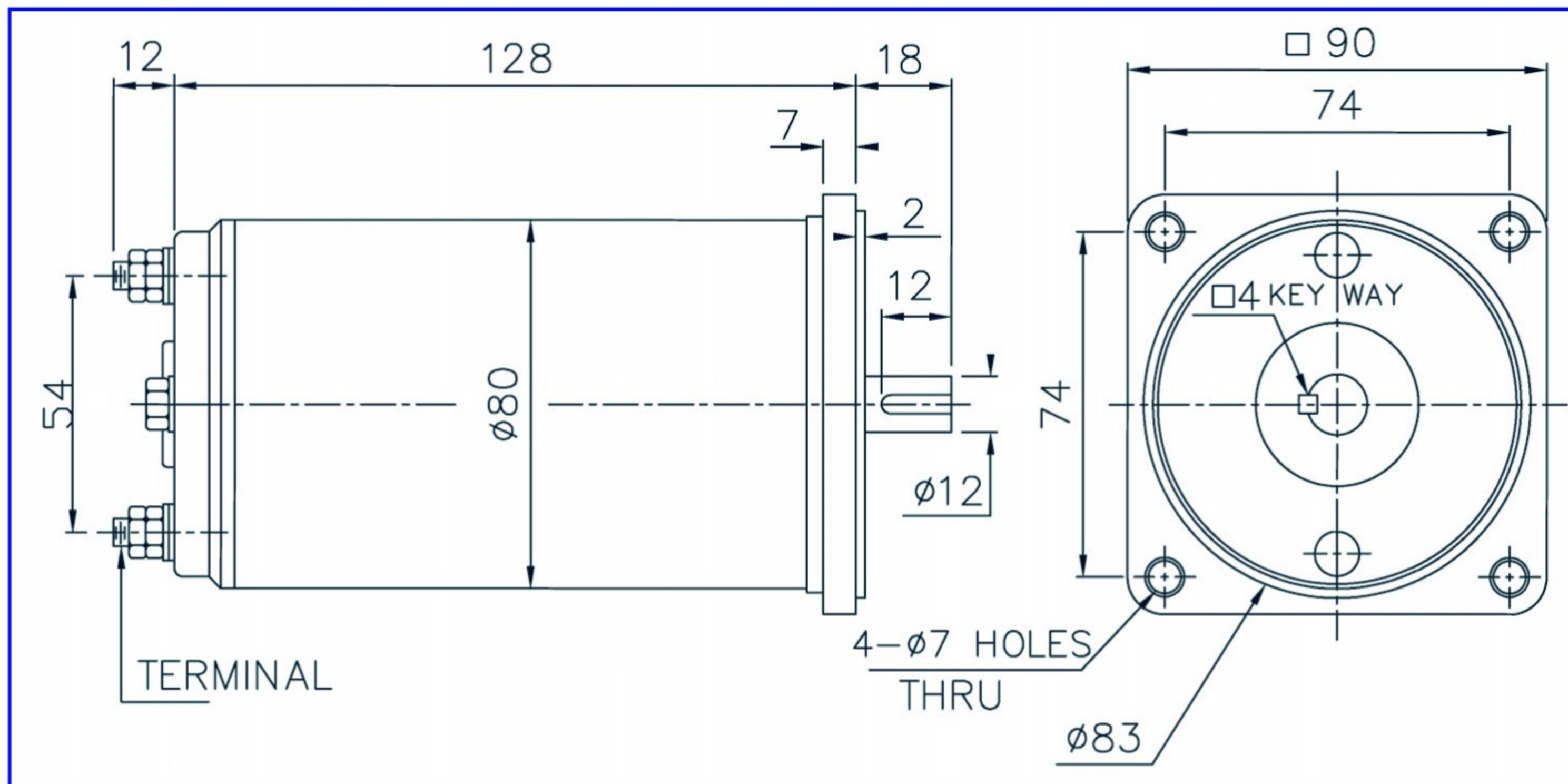


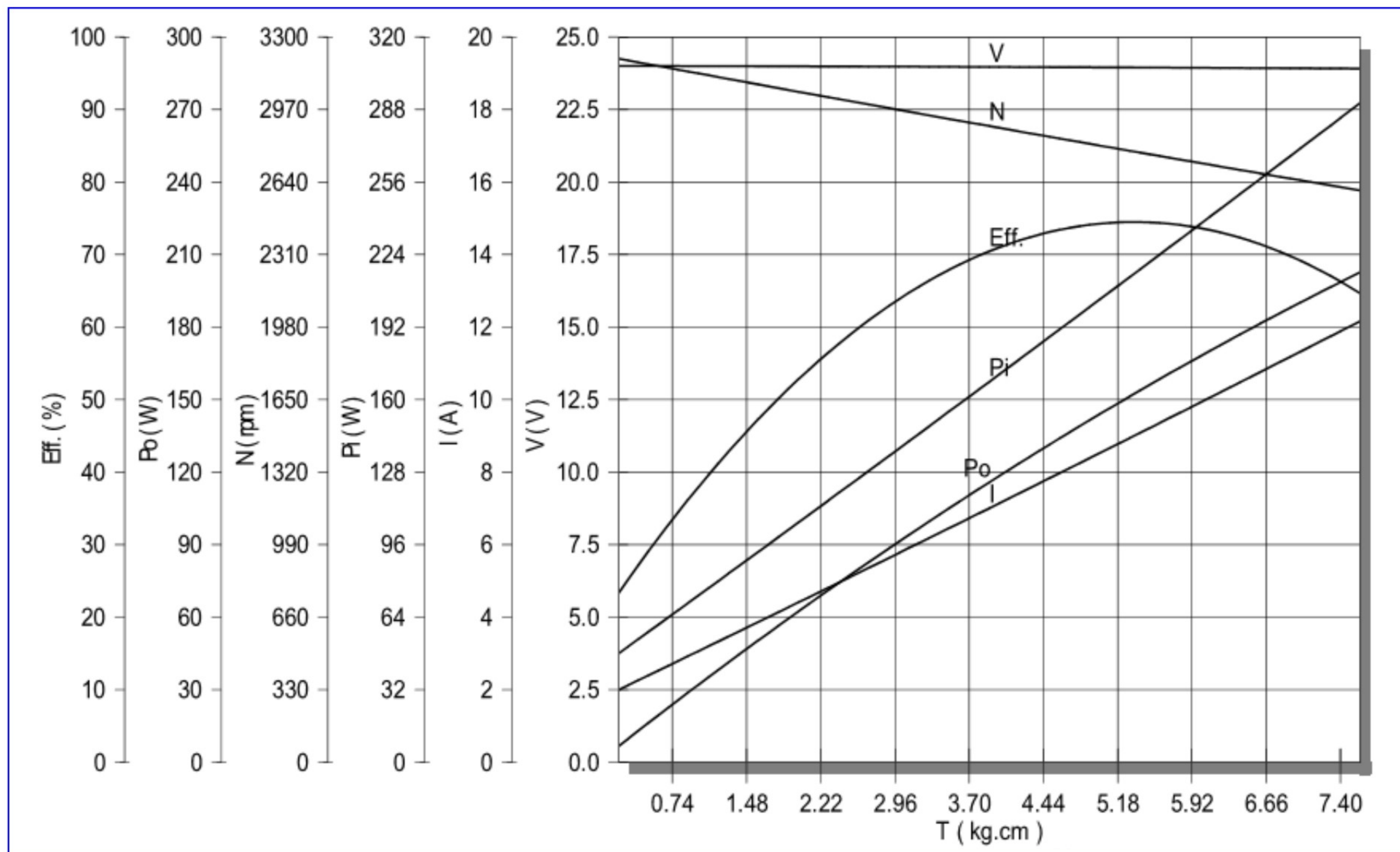


φ 80mm ,40-70 Ncm , 220W
Weight : 2.5 Kg/pcs

MT7255-3



24VDC No Load 3200rpm Torque/Speed Performance Curve



NO.	(V) VOLTAGE	(A) AMP.	(W) INPUT	(kg-cm) TORQUE	(rpm) SPEED	(W) OUTPUT	(%) EFF.
1	24.00	1.95	46.9	0.20	3201	6.6	14.01
2	24.00	2.23	53.5	0.40	3190	13.1	24.45
3	24.00	2.97	71.3	0.90	3142	29.0	40.72
4	23.99	3.67	88.2	1.40	3098	44.5	50.48
5	23.99	4.33	103.8	1.90	3055	59.5	57.38
6	23.98	5.10	122.2	2.50	3008	77.2	63.13
7	23.97	6.41	153.7	3.50	2930	105.2	68.47
8	23.97	7.09	169.9	4.00	2886	118.4	69.71
9	23.96	7.84	187.8	4.50	2846	131.4	69.99
10	23.95	8.51	203.8	5.00	2808	144.1	70.67
11	23.94	9.24	221.2	5.50	2766	156.1	70.57
12	23.93	9.98	238.8	6.00	2726	167.8	70.27
13	23.93	10.70	256.1	6.60	2684	181.8	70.97
14	23.92	11.49	274.9	7.10	2640	192.3	69.97
15	23.91	12.17	290.9	7.60	2599	202.7	69.67