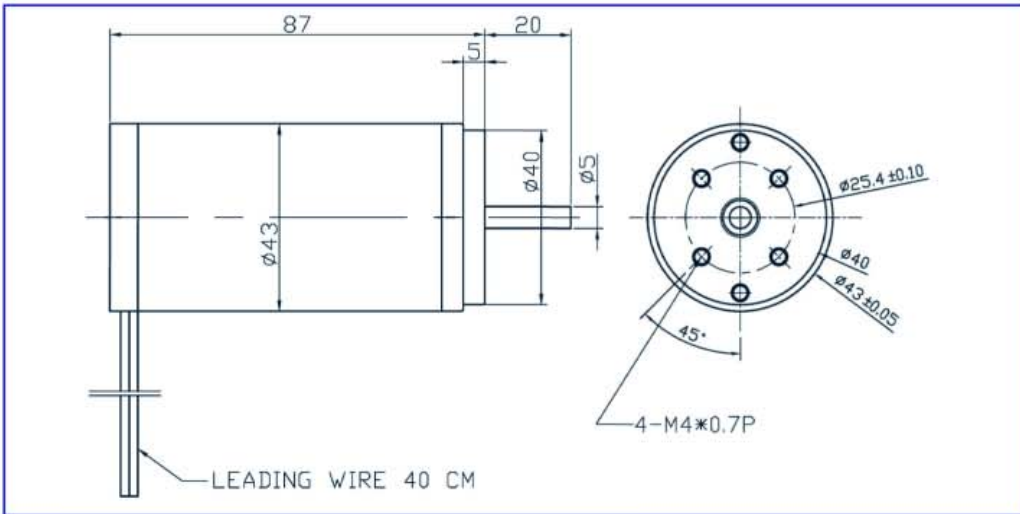
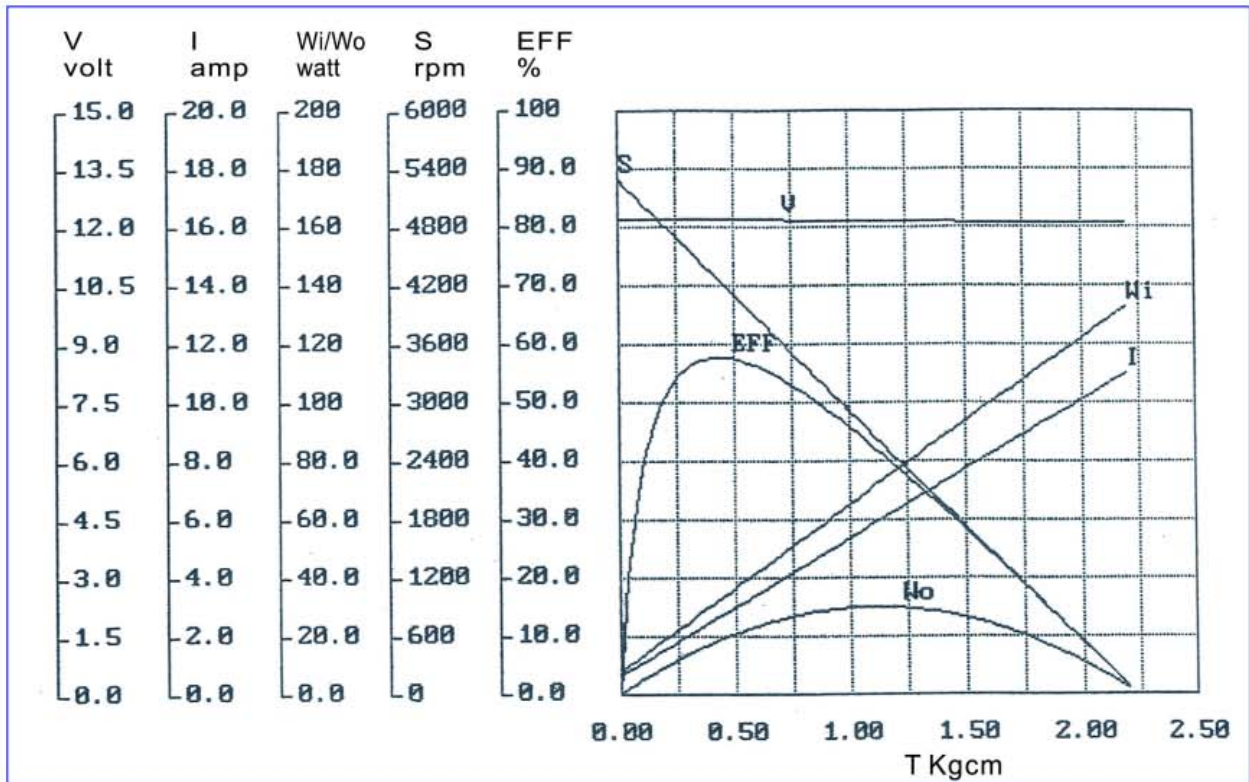


φ 43mm,3-8Ncm,20W  
 Weight : 0.4Kg/pcs  
 With encoder available

M3929



12VDC No Load 4900rpm Torque/Speed Performance Curve



NO	R.P.M.	VOLT (V)	I (AMP)	INPUT (W)	TORQUE (KG-CM)	OUTPUT (W)	EFF (%)
1	4619	12.19	1.95	23.8	0.28	13.3	55.9
2	4391	12.16	2.39	29.1	0.38	17.1	58.8
3	4187	12.19	2.86	34.9	0.47	20.2	57.9
4	3954	12.16	3.35	40.7	0.58	23.5	57.7
5	3743	12.19	3.81	46.4	0.67	25.7	55.4
6	3516	12.16	4.27	51.9	0.77	27.8	53.6
7	3294	12.19	4.76	58.0	0.87	29.4	50.7
8	3064	12.19	5.23	63.8	0.98	30.8	48.3

DC MOTOR