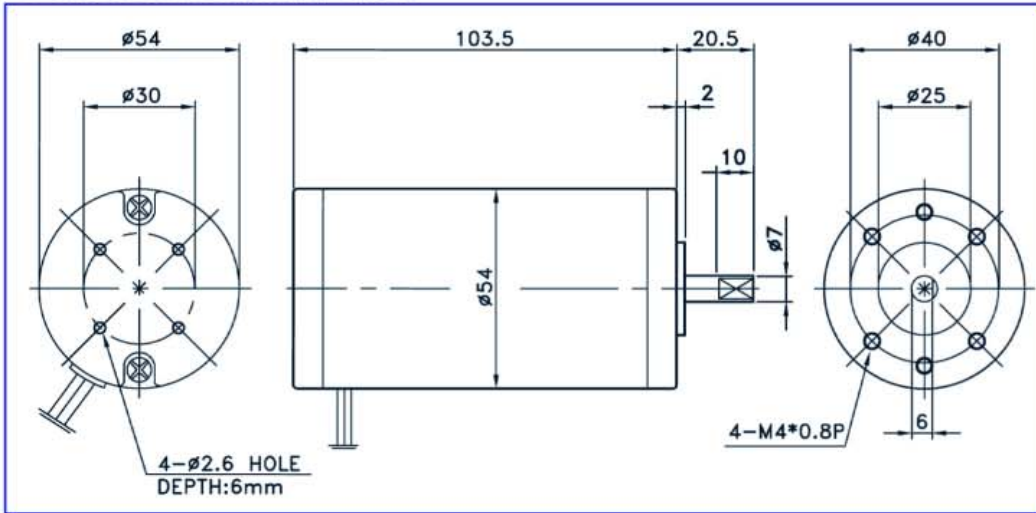


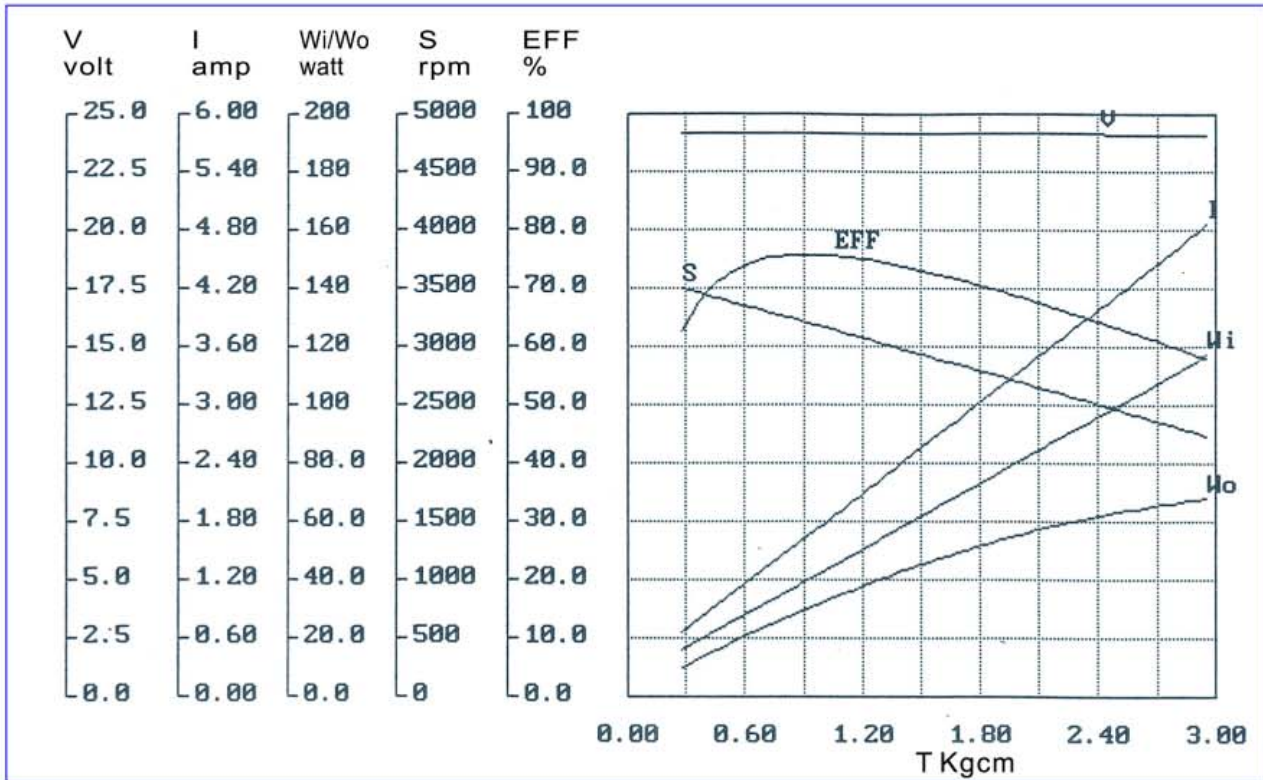


ϕ 54mm ,5-11 Ncm , 30W
 Weight : 0.8 Kg/pcs
 With encoder/brake available
 Front Cover : Square/Circle

M4835



12VDC No Load 3600rpm Torque/Speed Performance Curve



DC MOTOR

NO	R.P.M.	VOLT(V)	I(AMP)	INPUT(W)	TORQUE(KG-CM)	OUTPUT(W)	EFF(%)
1	3505	24.15	0.66	15.9	0.28	10.1	63.5
2	3364	24.15	1.12	27.0	0.57	19.7	73.0
3	3175	24.18	1.76	42.6	0.98	31.9	74.9
4	3038	24.15	2.18	52.6	1.28	39.9	75.6
5	2852	24.15	2.86	69.1	1.69	49.5	71.6
6	2704	24.15	3.32	80.2	1.98	54.9	68.5
7	2562	24.12	3.81	91.9	2.29	60.2	65.5
8	2369	24.12	4.44	107.1	2.70	65.6	61.3
9	2210	24.12	4.93	118.9	3.00	68.0	57.2