



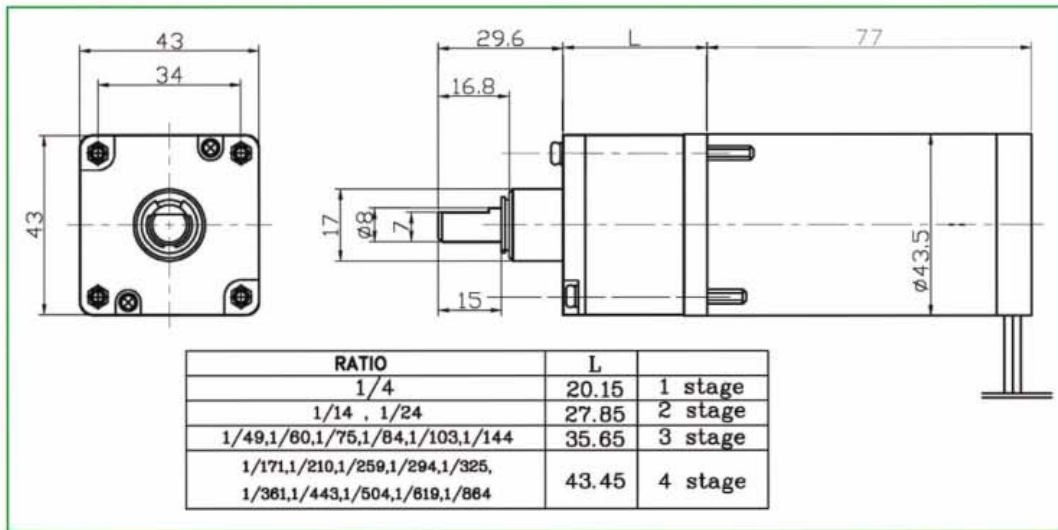
φ 43mm

Recommended initial speed : 3,600 rpm

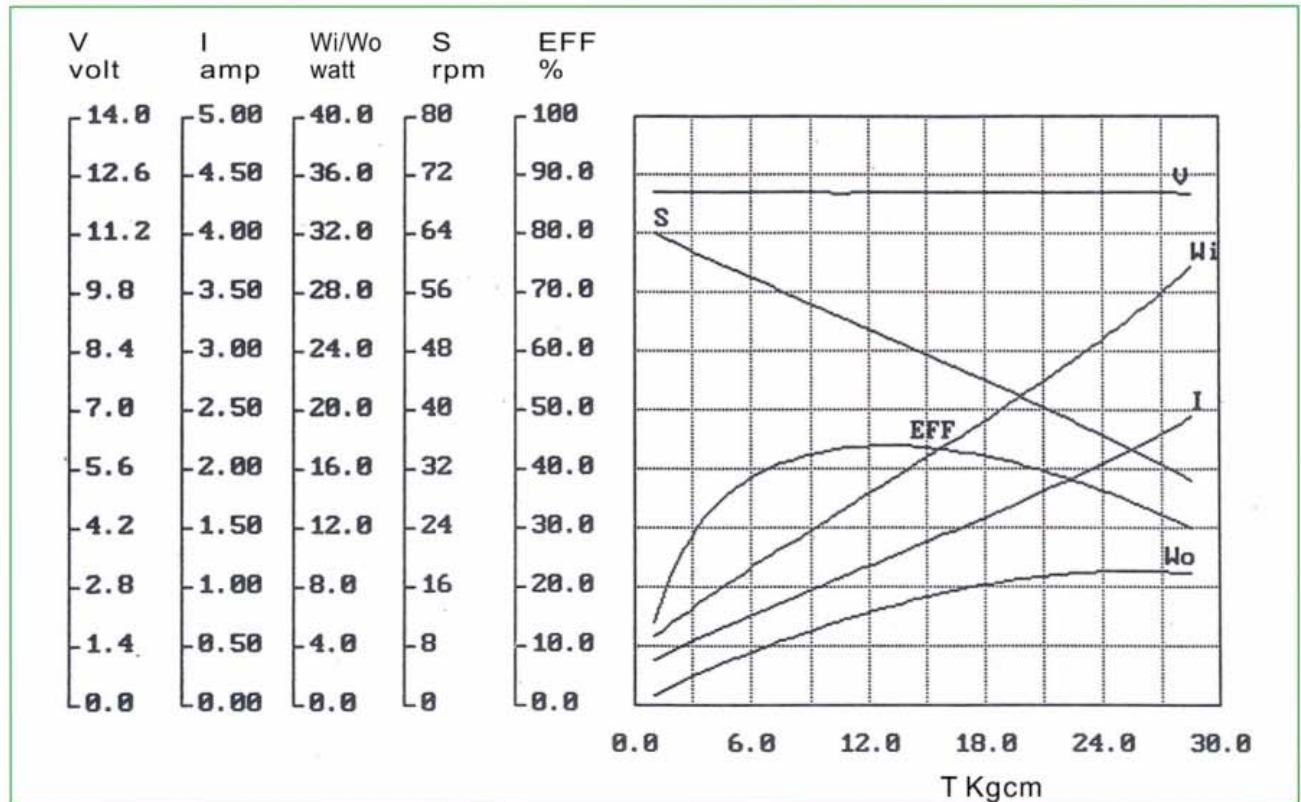
Reduction Ratio (1/i) : 1/4 - 1/864

With encoder available

PT3929



12VDC No Load 66rpm (RATIO : 1/49) Torque/Speed Performance Curve



NO	R.P.M.	VOLT (V)	I (AMP)	INPUT (W)	TORQUE (KG-CM)	OUTPUT (W)	EFF (%)
1	64	12.17	0.39	4.7	1.00	0.7	14.9
2	61	12.16	0.57	6.9	3.50	2.2	31.9
3	54	12.16	0.98	11.9	9.20	5.1	42.9
4	50	12.15	1.26	15.3	13.20	6.8	44.4
5	49	12.16	1.33	16.2	14.20	7.1	43.8
6	46	12.16	1.40	17.0	15.30	7.2	42.4
7	44	12.16	1.61	19.6	18.30	8.3	42.3
8	42	12.16	1.68	20.4	19.40	8.4	41.2
9	42	12.16	1.77	21.5	20.40	8.8	40.9
10	40	12.16	1.85	22.5	21.40	8.8	39.1
11	38	12.16	1.91	23.2	22.40	8.7	37.5
12	37	12.16	1.99	24.2	23.40	8.9	36.8
13	36	12.16	2.11	25.7	24.90	9.2	35.8
14	31	12.15	2.34	28.4	27.90	8.9	31.3
15	30	12.16	2.53	30.8	29.00	8.9	28.9