



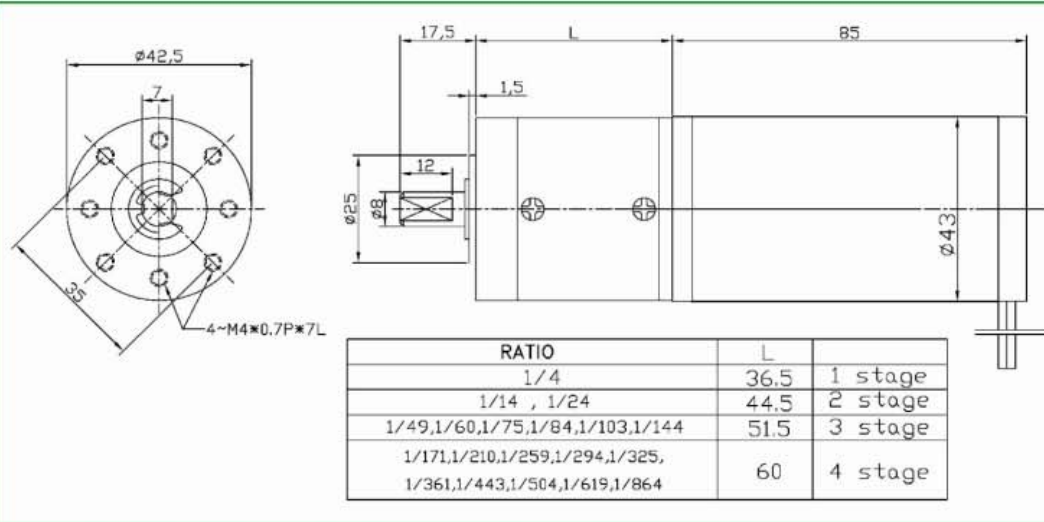
φ 43mm

Recommended initial speed : 3,600 rpm

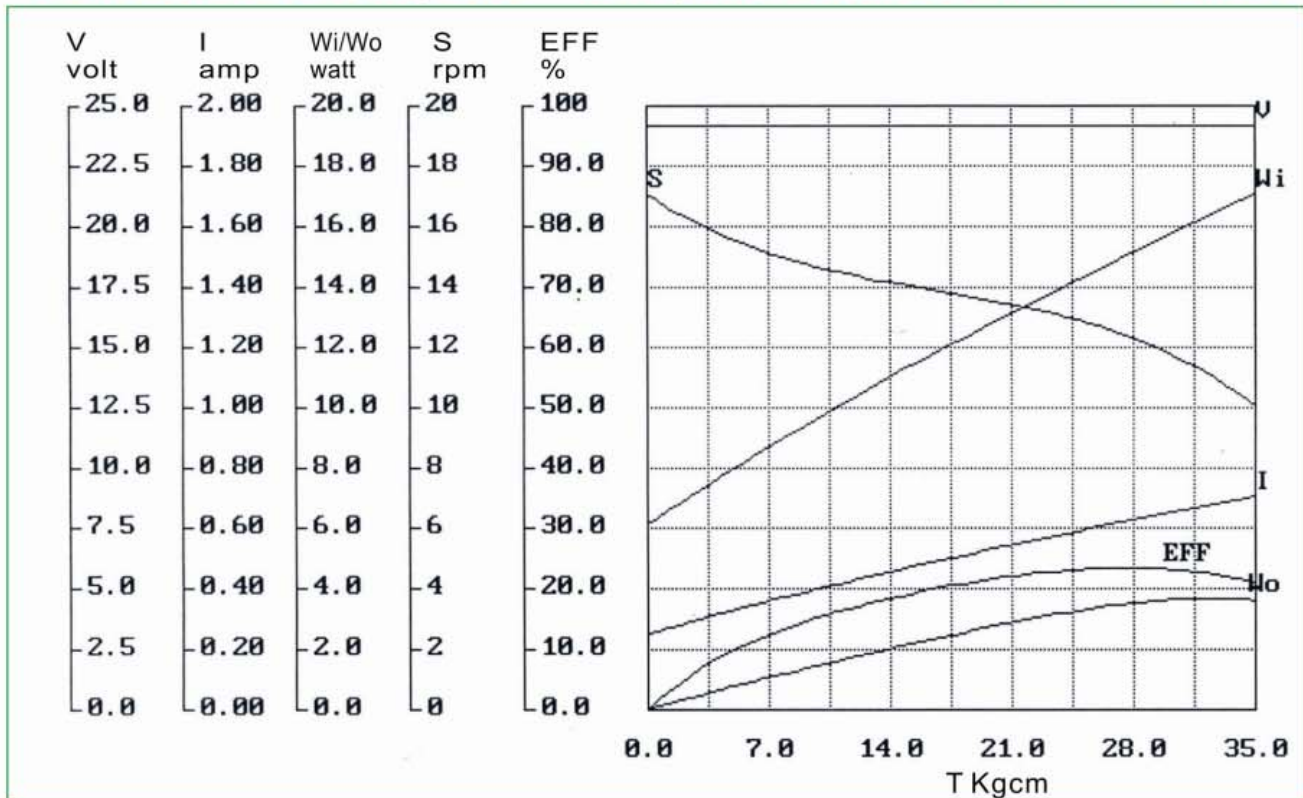
Reduction Ratio (1/i) : 1/4 - 1/864

With encoder available

PTC3929



24V, No Load 19rpm (RATIO : 1/210) Torque/Speed Performance Curve



NO	R.P.M.	VOLT (V)	I (AMP)	INPUT (W)	TORQUE (KG-CM)	OUTPUT (W)	EFF (%)
1	18	24.15	0.24	5.8	0.00	0.0	0.0
2	16	24.15	0.29	7.0	0.40	0.1	1.4
3	16	24.15	0.32	7.7	5.10	0.8	10.4
4	14	24.15	0.34	8.2	7.70	1.1	13.4
5	15	24.18	0.39	9.4	10.30	1.6	17.0
6	14	24.17	0.46	11.1	12.60	1.8	16.2
7	14	24.16	0.51	12.3	15.10	2.2	17.9
8	14	24.17	0.50	12.1	17.70	2.5	20.7
9	14	24.15	0.54	13.0	20.40	2.9	22.3
10	14	24.15	0.56	13.5	22.90	3.3	24.4
11	12	24.18	0.59	14.3	25.50	3.1	21.7
12	12	24.15	0.61	14.7	28.20	3.5	23.8
13	12	24.15	0.67	16.2	30.40	3.7	22.8
14	10	24.15	0.68	16.4	33.20	3.4	20.7
15	10	24.14	0.73	17.6	36.30	3.7	21.0
N	0	0.00	0.00	0.0	0.00	0.0	0.0
R	0	0.00	0.00	0.0	0.00	0.0	0.0
L	0	0.00	0.00	0.0	0.00	0.0	0.0