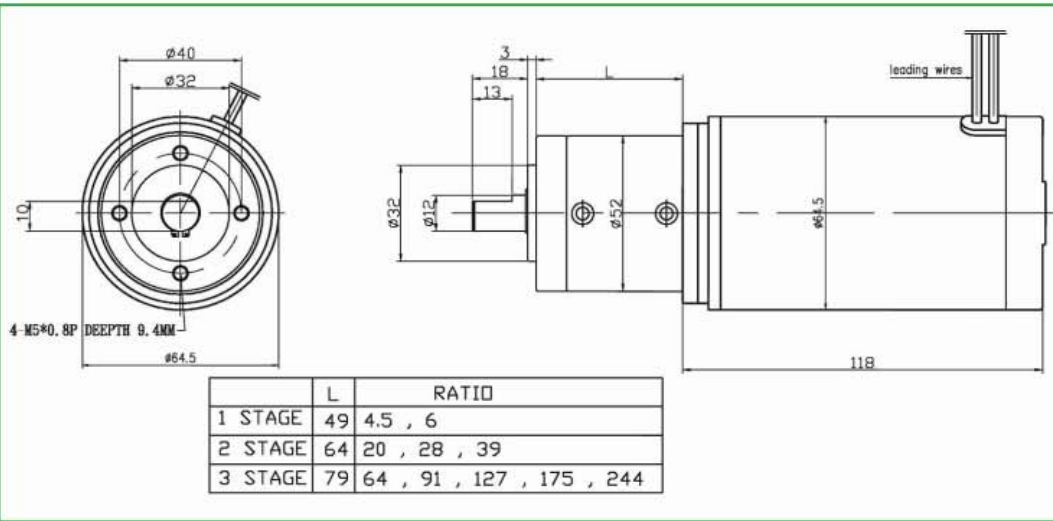


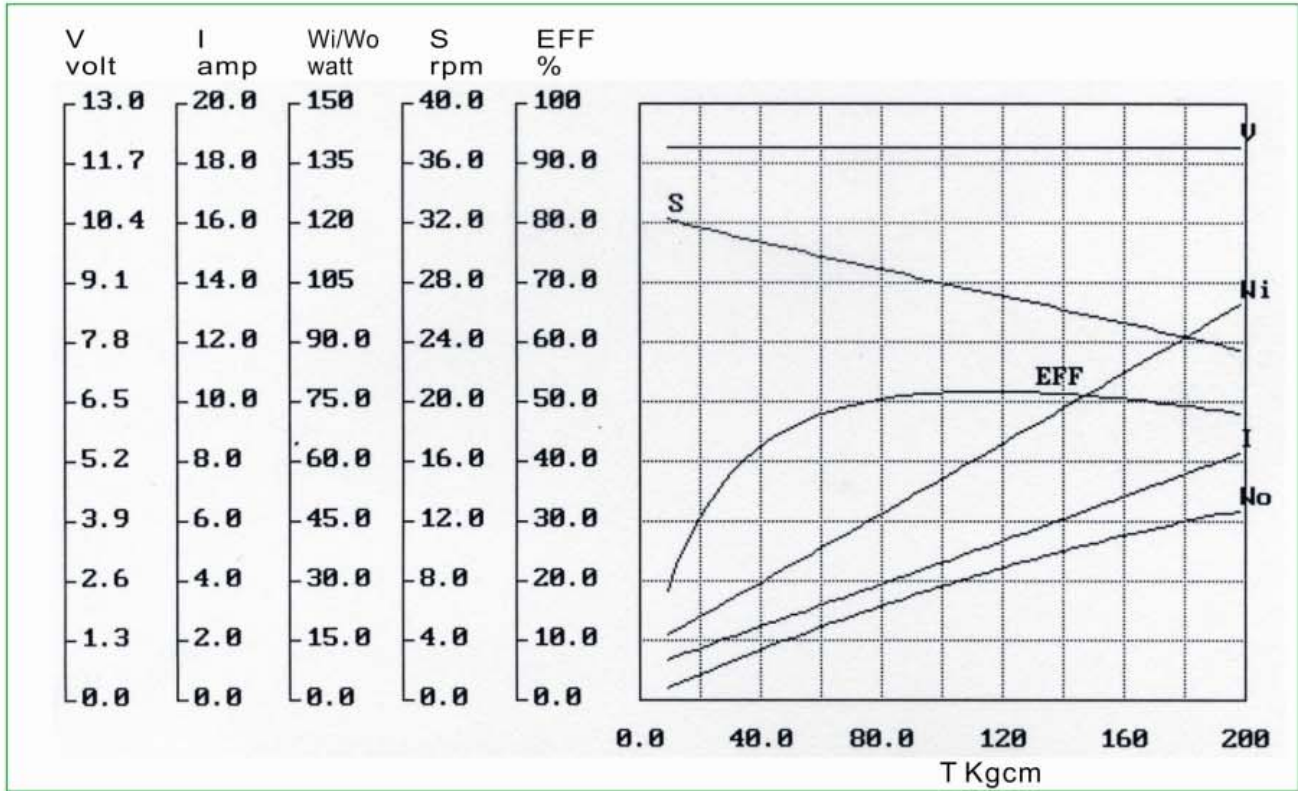


φ 64.5mm Recommended initial speed : 3,000 rpm  
 Reduction Ratio (1/i) : 1/4.5 - 1/244  
 With encoder/brake available

**PT5946**



### 12VDC No Load 33rpm (RATIO : 1/91) Torque/Speed Performance Curve



PLANETARY GEAR

| NO | R.P.M. | VOLT (V) | I (AMP) | INPUT (W) | TORQUE (KG-CM) | OUTPUT (W) | EFF (%) |
|----|--------|----------|---------|-----------|----------------|------------|---------|
| 1  | 32.4   | 12.04    | 1.29    | 15.58     | 9.00           | 3.00       | 19.26   |
| 2  | 31.5   | 12.07    | 1.64    | 19.74     | 16.00          | 5.20       | 26.34   |
| 3  | 31.9   | 12.04    | 1.73    | 20.77     | 19.00          | 6.20       | 29.85   |
| 4  | 31.6   | 12.05    | 1.86    | 22.36     | 23.00          | 7.50       | 33.54   |
| 5  | 31.5   | 12.05    | 2.02    | 24.32     | 27.00          | 8.70       | 35.77   |
| 6  | 30.9   | 12.04    | 2.26    | 27.24     | 34.00          | 10.80      | 39.65   |
| 7  | 30.4   | 12.04    | 2.66    | 32.04     | 45.00          | 14.00      | 43.70   |
| 8  | 29.8   | 12.04    | 3.07    | 36.94     | 57.00          | 17.40      | 47.10   |
| 9  | 29.6   | 12.04    | 3.43    | 41.25     | 69.00          | 21.00      | 50.91   |
| 10 | 28.7   | 12.04    | 4.04    | 48.60     | 83.00          | 24.40      | 50.21   |
| 11 | 28.1   | 12.03    | 4.61    | 55.52     | 98.00          | 28.30      | 50.97   |
| 12 | 27.1   | 12.04    | 5.23    | 63.01     | 118.00         | 32.80      | 52.06   |
| 13 | 26.4   | 12.04    | 5.89    | 70.94     | 136.00         | 36.80      | 51.87   |
| 14 | 25.5   | 12.04    | 6.85    | 82.51     | 158.00         | 41.30      | 50.05   |
| 15 | 24.3   | 12.04    | 7.49    | 90.15     | 178.00         | 44.40      | 49.25   |
| 16 | 23.4   | 12.02    | 8.37    | 100.57    | 201.00         | 48.30      | 48.03   |