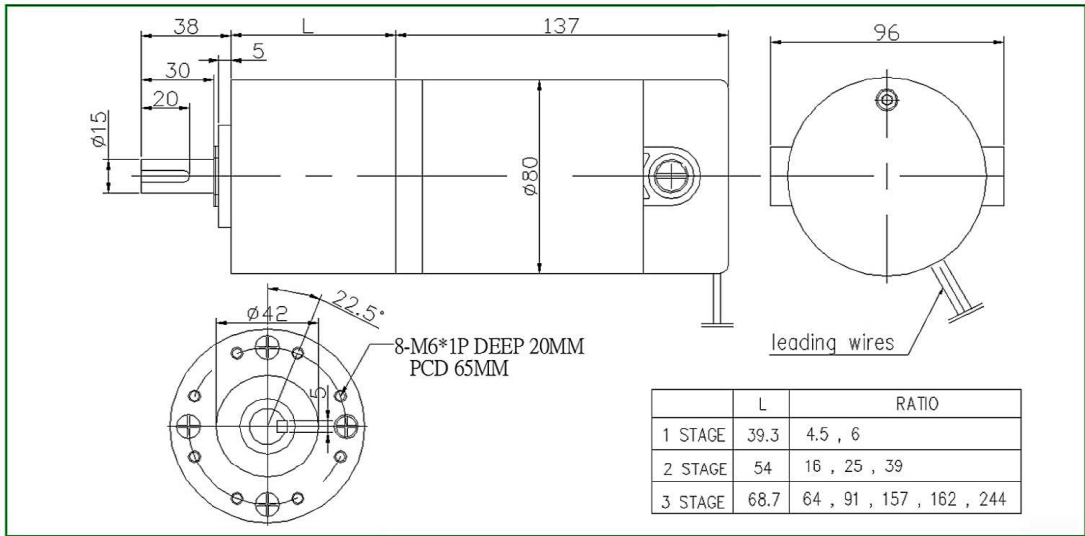


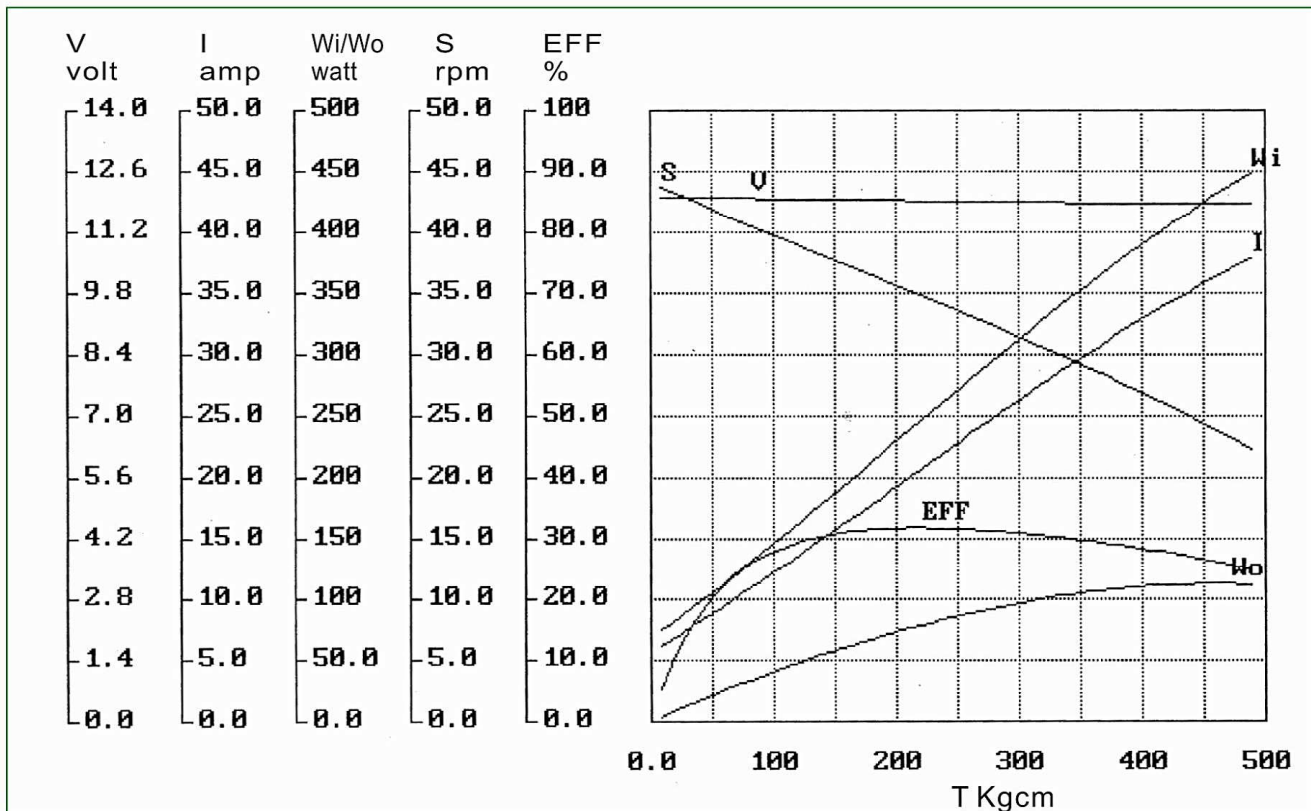


ϕ 80mm Recommended initial speed : 3,000 rpm
 Reduction Ratio (1/i) : 1/4.5 - 1/244
 With encoder/brake available

PTC7152



12VDC No Load 44rpm (RATIO : 1/91) Torque/Speed Performance Curve



PLANETARY GEAR

NO	R.P.M.	VOLT (V)	I (AMP)	INPUT (W)	TORQUE (KG-CM)	OUTPUT (W)	EFF (%)
1	43.4	12.00	6.47	77.70	9.00	4.03	5.18
2	42.5	11.99	7.87	94.37	39.00	17.01	18.02
3	41.4	11.99	8.82	105.79	59.00	25.07	23.69
4	41.3	11.96	11.20	133.96	78.00	33.05	24.67
5	39.6	11.95	12.35	147.61	99.00	40.21	27.24
6	38.8	11.96	14.44	172.76	129.00	51.32	29.71
7	37.3	11.94	15.95	190.55	156.00	59.68	31.32
8	35.5	11.94	18.17	217.04	194.00	70.65	32.55
9	35.2	11.92	21.92	261.37	227.00	81.99	31.37
10	32.6	11.90	23.77	282.93	263.00	87.95	31.09
11	31.1	11.87	26.90	319.18	298.00	95.12	29.80
12	29.6	11.88	28.08	333.78	337.00	102.35	30.66
13	28.3	11.88	30.52	362.40	378.00	109.74	30.28
14	26.0	11.84	35.61	421.45	422.00	112.57	26.71
15	24.5	11.84	35.74	422.99	457.00	114.88	27.16
16	21.5	11.83	38.22	452.05	496.00	109.44	24.21