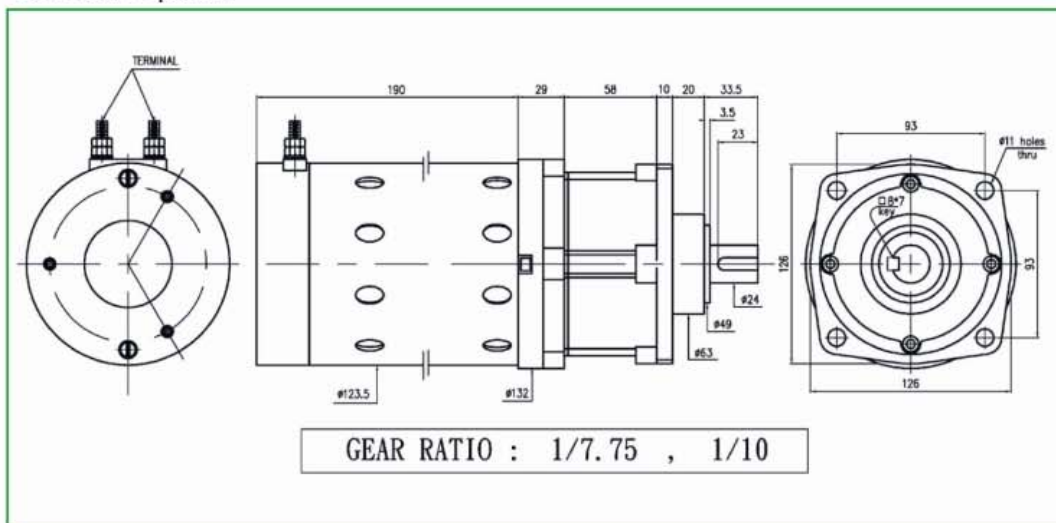


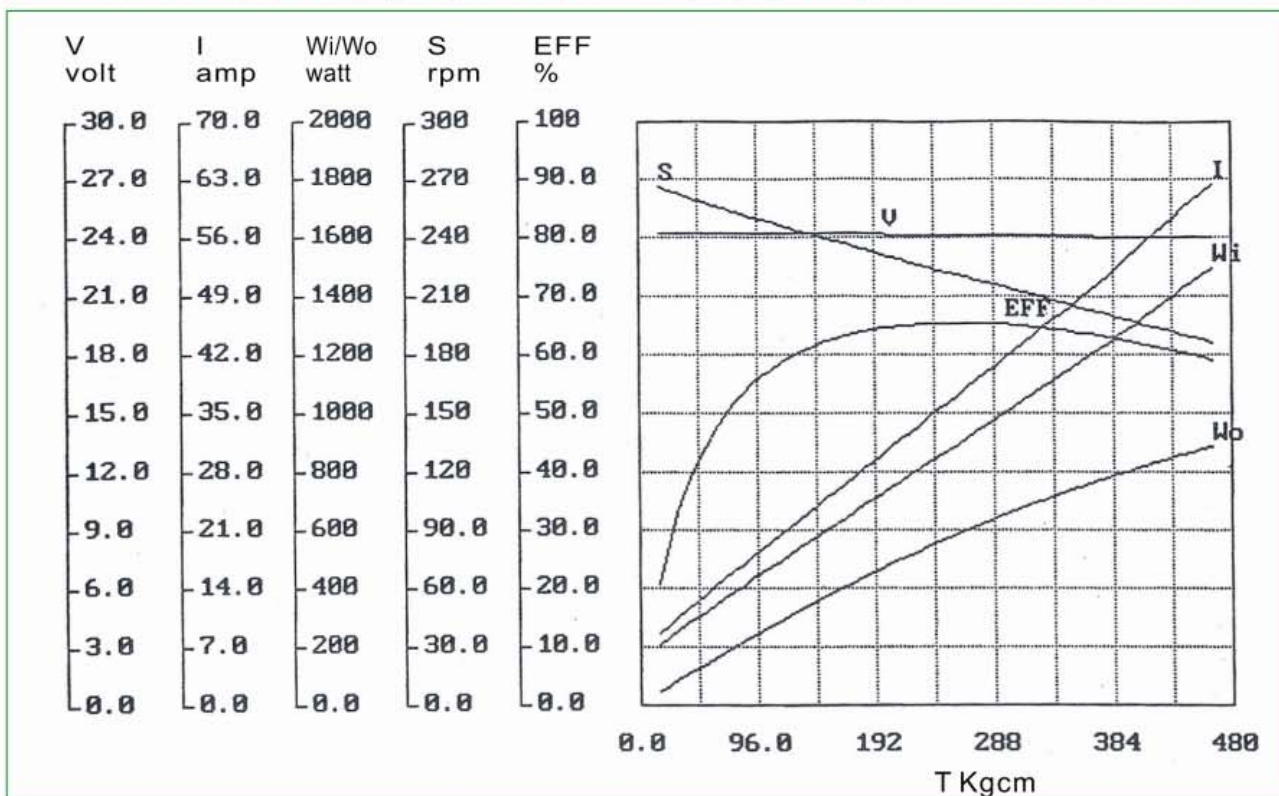


$\phi$  123.5mm Recommended initial speed : 2,200rpm  
 Reduction Ratio (1/i) : 1/7.5 , 1/10  
 With encoder/brake available  
 Stand : Option

**PT1188**



## 24VDC No Load 270rpm (RATIO : 1/10) Torque/Speed Performance Curve



NO	R.P.M.	VOLT (V)	I (AMP)	INPUT (W)	TORQUE (KG-CM)	OUTPUT (W)	EFF (%)
1	264.3	24.23	8.86	214.72	16.00	43.60	20.31
2	262.8	24.24	10.28	249.03	31.00	83.60	33.57
3	254.0	24.20	16.02	387.57	77.00	200.70	51.78
4	248.8	24.17	18.63	450.24	100.00	255.31	56.70
5	238.7	24.17	25.49	616.05	159.00	389.40	63.21
6	231.3	24.17	29.66	716.95	191.00	453.30	63.23
7	218.8	24.12	38.70	933.40	273.00	612.90	65.66
8	205.0	24.07	47.90	1153.07	350.00	736.20	63.85
9	200.0	24.02	52.93	1271.55	390.00	800.30	62.94
10	191.6	23.99	58.13	1394.78	431.00	847.30	60.75
11	184.7	23.99	63.45	1522.48	471.00	892.60	58.63

PLANETARY GEAR