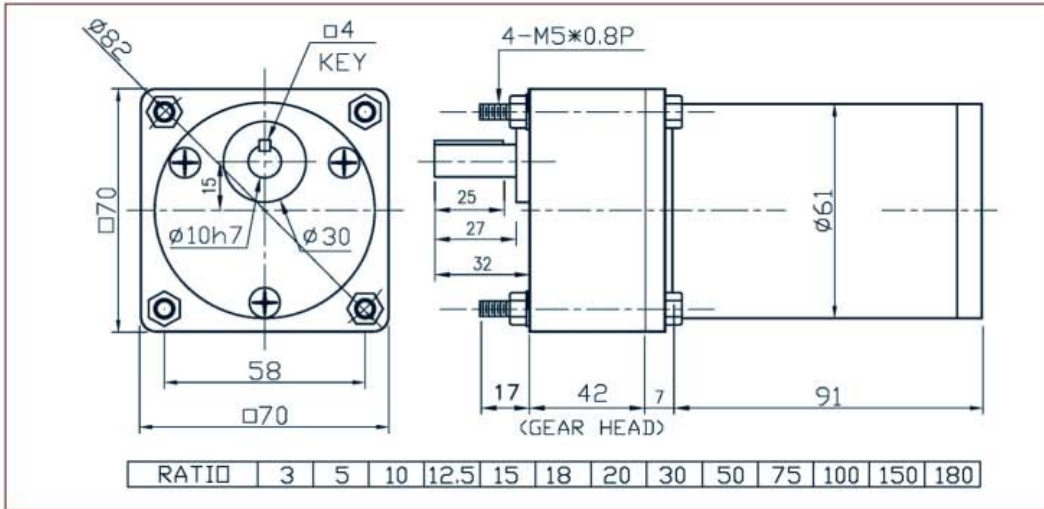


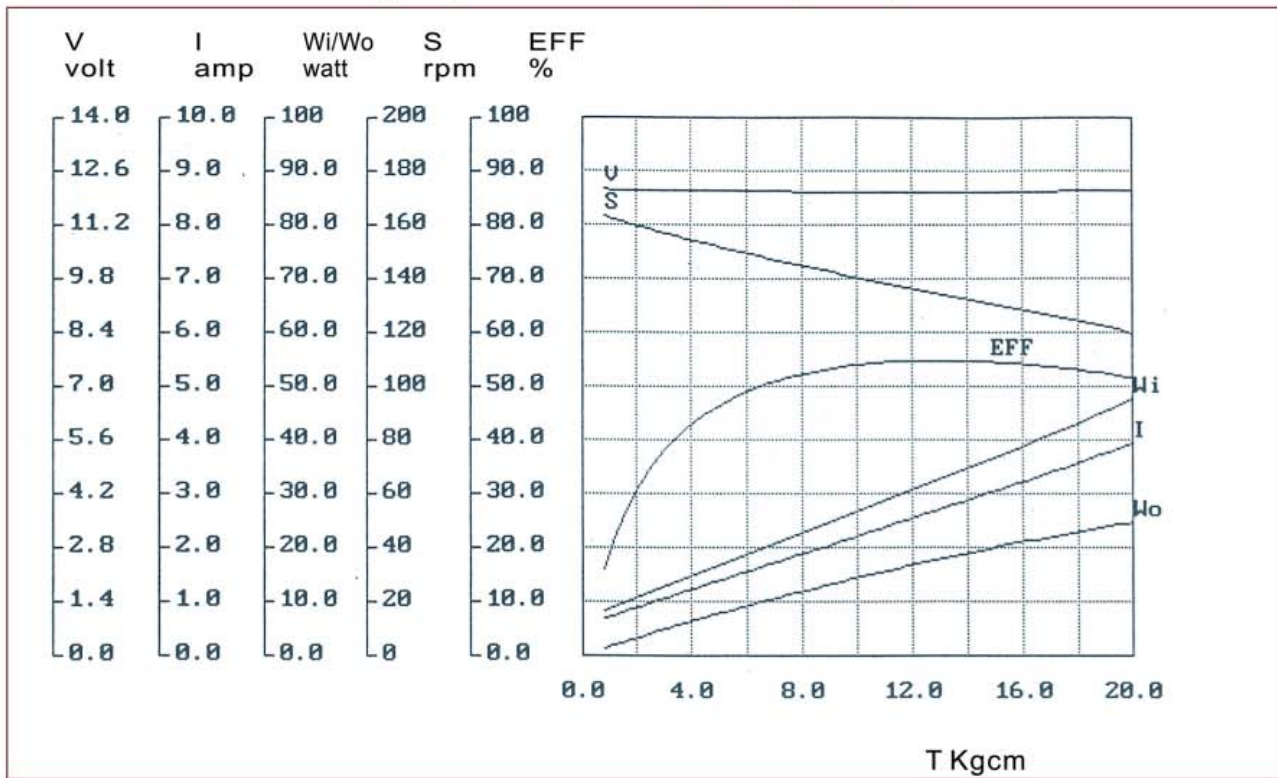


Motor dia $\phi 61\text{mm}$
 Motor original torque : 8 - 16 Ncm
 Gear ratio (1/ i) : 1/3 - 1/180

SF5539



12VDC No Load 165rpm (RATIO : 1/12.5) Torque/Speed Performance Curve



NO	R.P.M.	VOLT(V)	I(AMP)	INPUT(W)	TORQUE(KG-CM)	OUTPUT(W)	EFF(%)
1	163	12.10	0.69	8.3	0.80	1.3	15.7
2	155	12.11	1.19	14.4	3.80	6.0	41.7
3	147	12.07	1.67	20.2	6.90	10.4	51.5
4	143	12.07	2.17	26.2	9.40	13.8	52.7
5	135	12.04	2.69	32.4	13.00	18.0	55.6
6	133	11.98	2.61	31.3	12.40	16.9	54.0
7	130	12.08	3.13	37.8	15.50	20.7	54.8
8	124	12.10	3.61	43.7	18.10	23.0	52.6
9	118	12.10	4.08	49.4	20.80	25.2	51.0

SPUR GEAR