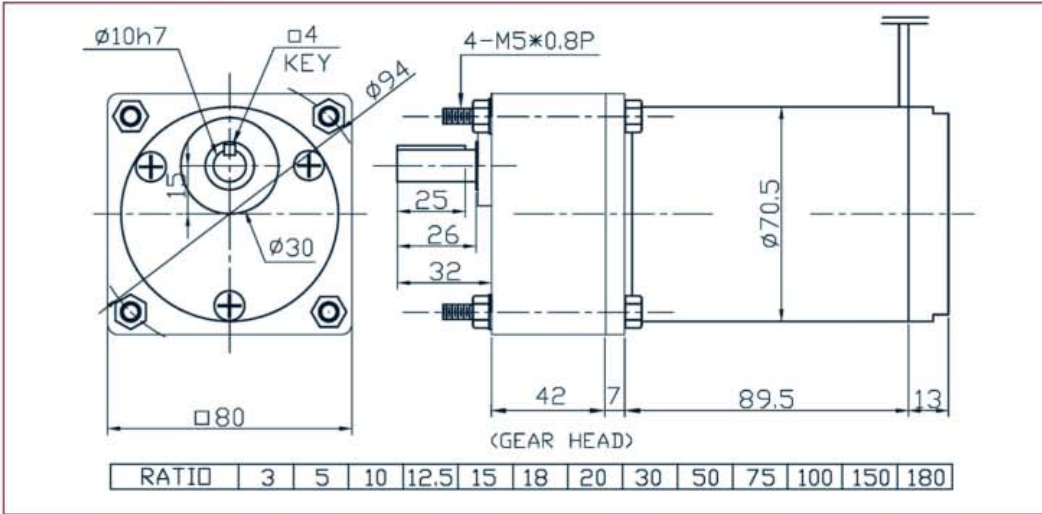


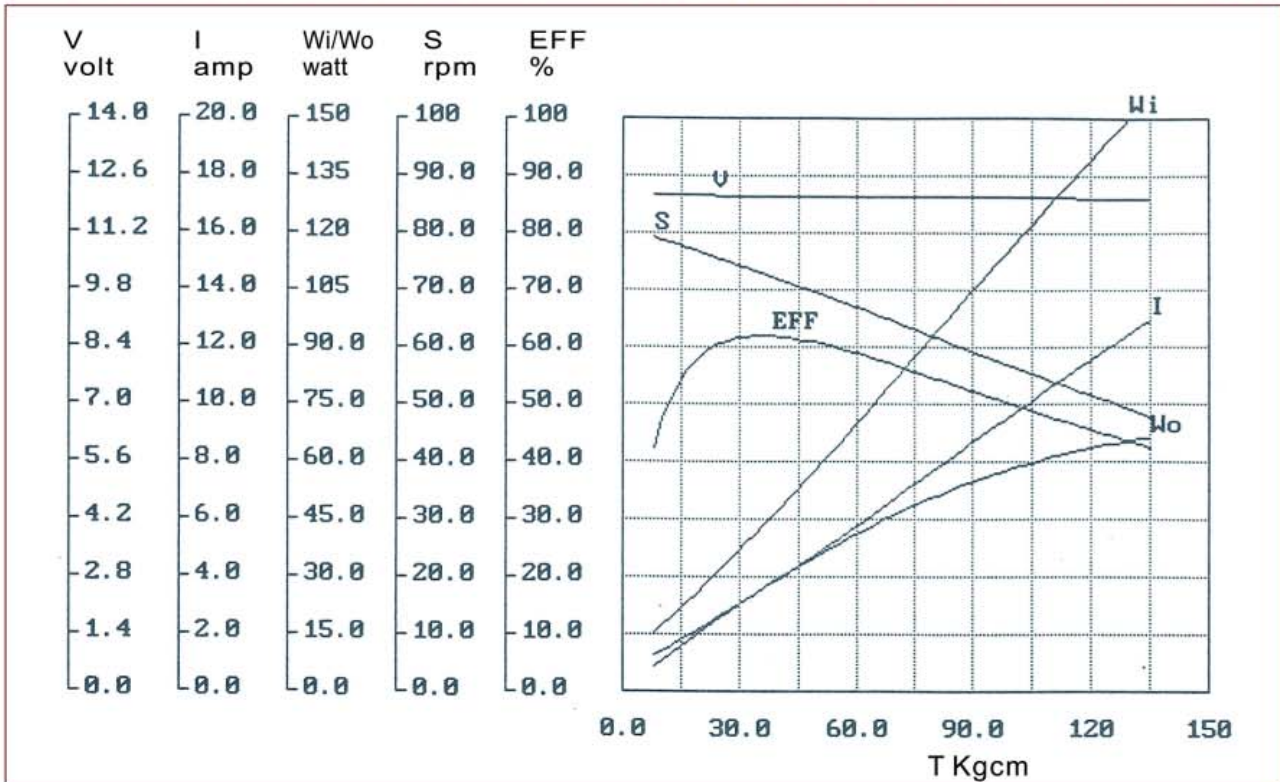


Motor dia ϕ 70.5mm
 Motor original torque : 15 - 28 Ncm
 Gear ratio (1/ i) : 1/3 - 1/180

SF6551



12VDC No Load 80rpm (RATIO : 1/30) Torque/Speed Performance Curve



NO	R.P.M.	VOLT (V)	I (AMP)	INPUT (W)	TORQUE (KG-CM)	OUTPUT (W)	EFF (%)
1	78.7	12.13	1.38	16.78	8.00	6.50	38.74
2	78.6	12.13	1.67	20.23	16.00	12.90	63.77
3	75.9	12.10	2.47	29.93	22.00	17.10	57.13
4	74.1	12.10	3.07	37.12	30.00	22.80	61.42
5	72.4	12.10	3.58	43.33	36.00	26.70	61.62
6	71.2	12.10	4.49	54.35	46.00	33.60	61.82
7	67.7	12.09	5.37	64.94	55.00	38.20	58.82
8	65.0	12.09	6.62	79.99	69.00	46.00	57.51
9	60.4	12.07	8.15	98.42	84.00	52.10	52.94
10	56.3	12.07	9.64	116.30	101.00	58.30	50.13
11	52.4	12.07	11.49	138.70	119.00	64.00	46.14
12	47.0	12.04	13.13	158.16	137.00	66.10	41.79