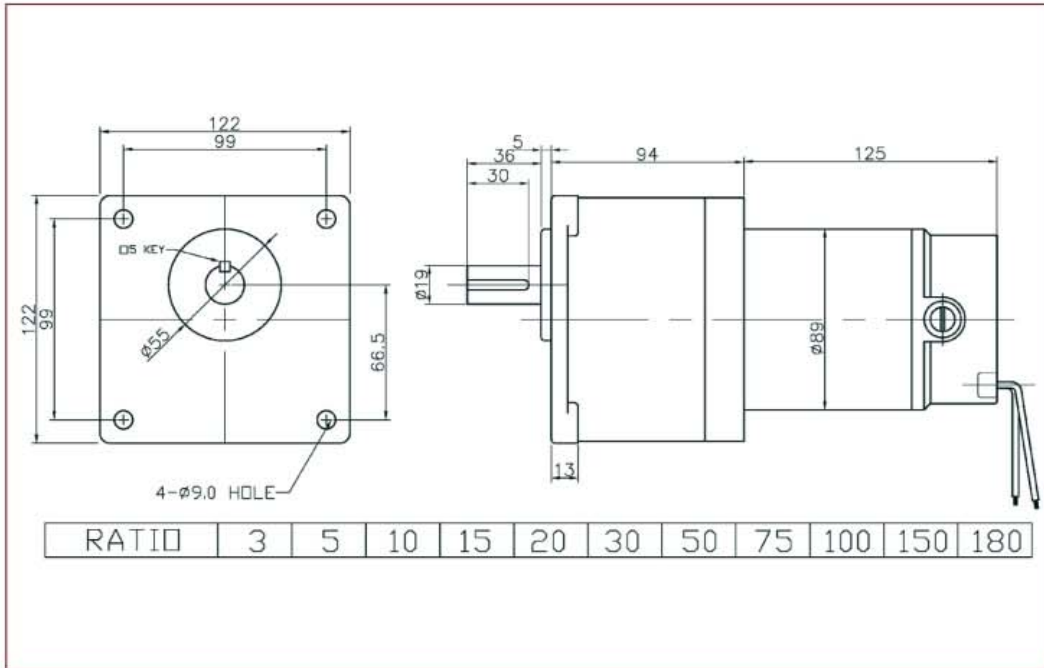


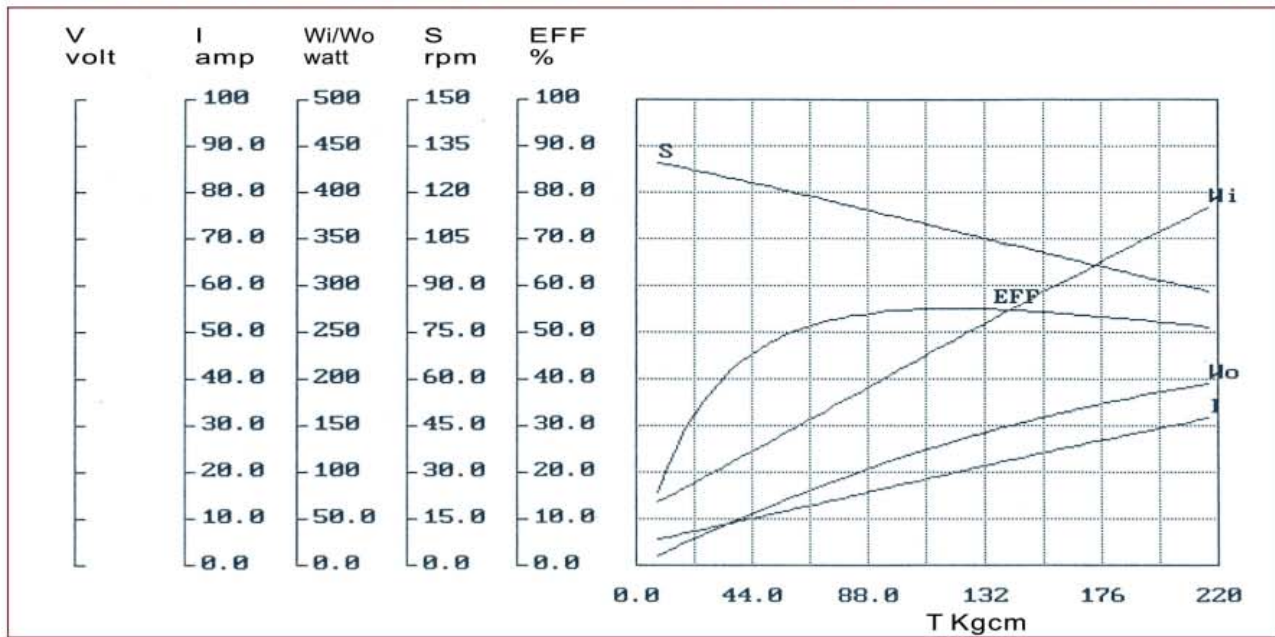


Motor dia ϕ 89mm
 Motor original torque : 45 - 80 Ncm
 Gear ratio (1/ i) : 1/3 - 1/180

SF8156



12VDC No Load 130rpm (RATIO : 1/20) Torque/Speed Performance Curve



NO	R.P.M.	VOLT (V)	I (AMP)	INPUT (W)	TORQUE (KG-CM)	OUTPUT (W)	EFF (%)
1	129.2	12.22	6.01	73.47	8.00	10.60	14.43
2	128.8	12.21	6.08	74.21	15.00	19.80	26.68
3	128.7	12.22	6.35	77.55	17.00	22.40	28.88
4	125.6	12.22	8.23	100.51	31.00	39.90	39.70
5	121.3	12.19	11.04	134.59	51.00	63.50	47.18
6	118.8	12.19	12.82	156.21	63.00	76.80	49.16
7	115.7	12.17	14.53	176.86	78.00	92.60	52.36
8	109.7	12.16	18.78	228.36	113.00	127.20	55.70
9	106.0	12.13	21.04	255.25	133.00	144.60	56.65
10	101.2	12.13	23.66	286.94	151.00	156.80	54.65
11	96.5	12.13	26.49	321.29	170.00	168.30	52.38
12	92.1	12.10	29.00	350.94	193.00	182.40	51.97
13	87.9	12.10	31.89	385.89	220.00	198.40	51.41

SPUR GEAR