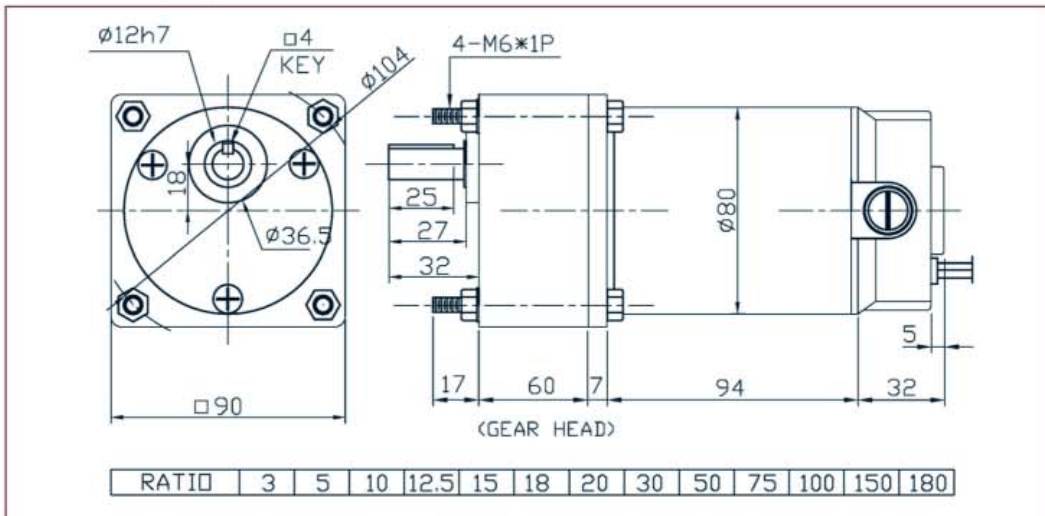


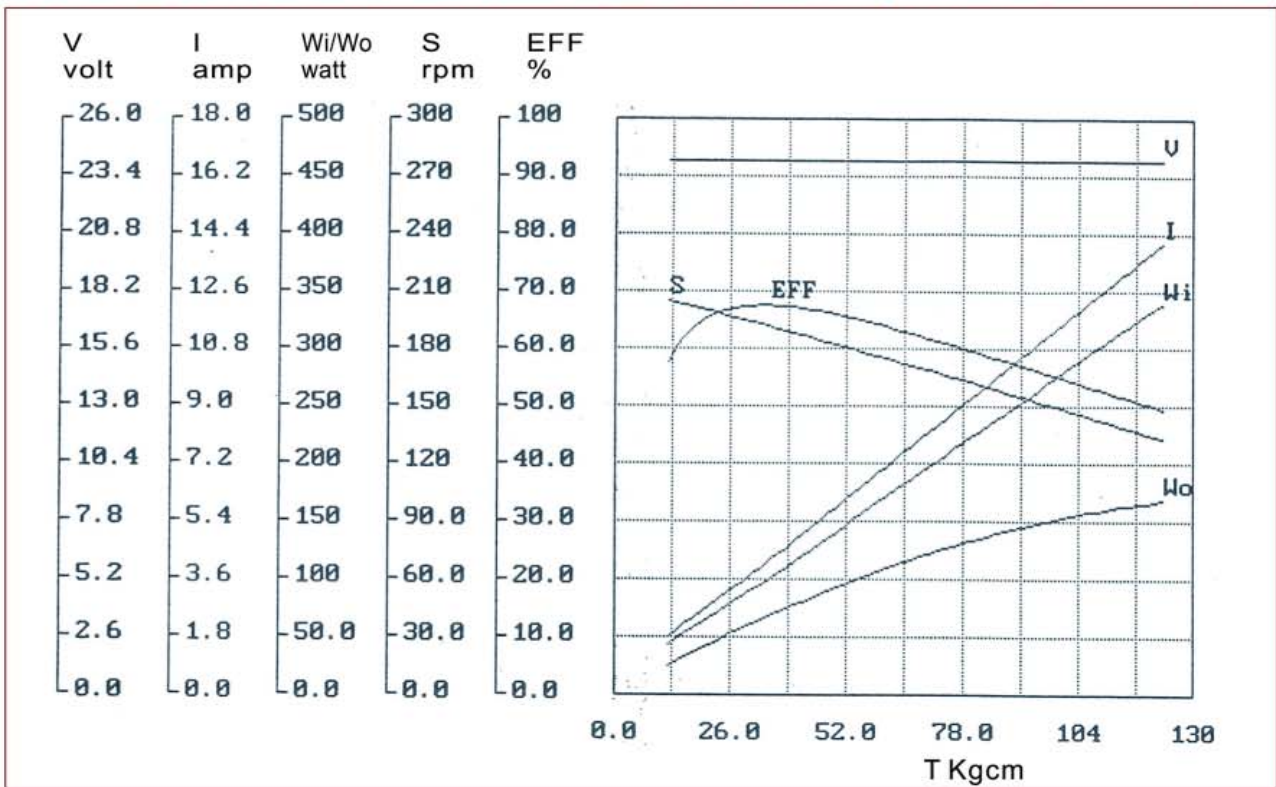


Motor dia ϕ 80mm
 Motor original torque : 26 - 36 Ncm
 Gear ratio (1/ i) : 1/3 - 1/180

SF7152



24VDC No Load 210rpm (RATIO : 1/12.5) Torque/Speed Performance Curve



NO	R.P.M.	VOLT(V)	I(AMP)	INPUT(W)	TORQUE(KG-CM)	OUTPUT(W)	EFF(%)
1	206.1	24.11	1.76	42.38	12.00	25.40	59.93
2	202.7	24.11	2.21	53.37	16.00	33.30	62.39
3	198.8	24.10	2.89	69.63	22.00	44.90	64.48
4	196.4	24.14	3.43	82.71	27.00	54.40	65.77
5	191.1	24.13	4.15	100.15	35.00	68.60	68.50
6	186.4	24.12	5.02	121.12	42.00	80.30	66.30
7	180.7	24.11	6.05	145.99	51.00	94.60	64.80
8	174.2	24.12	7.24	174.71	63.00	112.60	64.45
9	166.8	24.10	8.70	209.67	76.00	130.10	62.05
10	155.2	24.09	10.51	253.11	90.00	143.30	56.62
11	143.3	24.06	12.27	295.30	106.00	155.80	52.76
12	132.0	24.06	14.26	343.08	125.00	169.30	49.35

SPUR GEAR