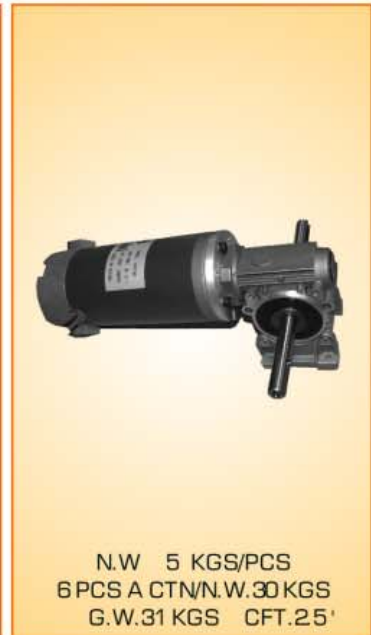
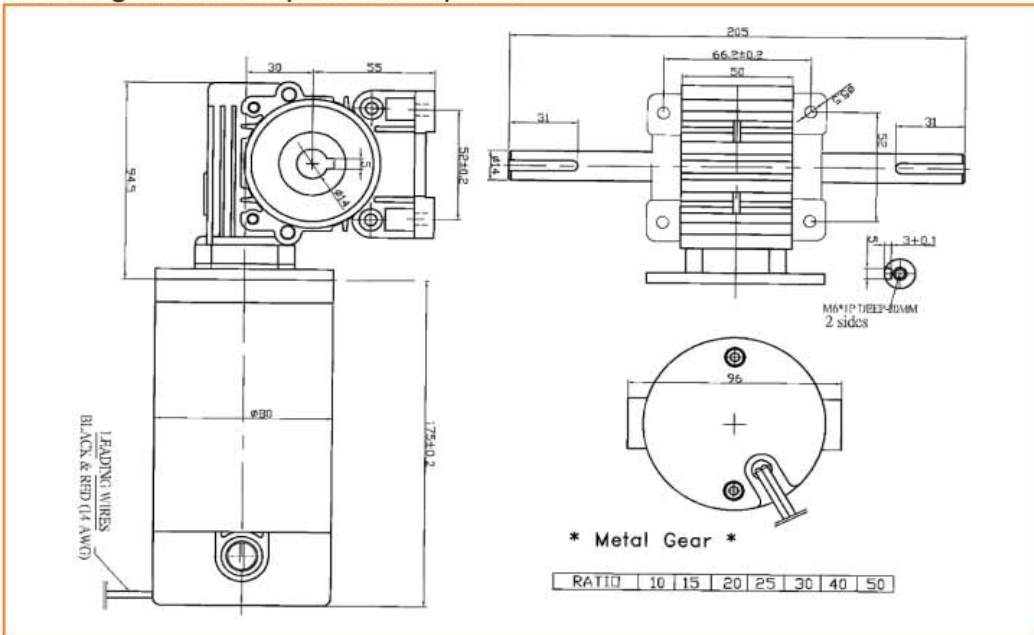


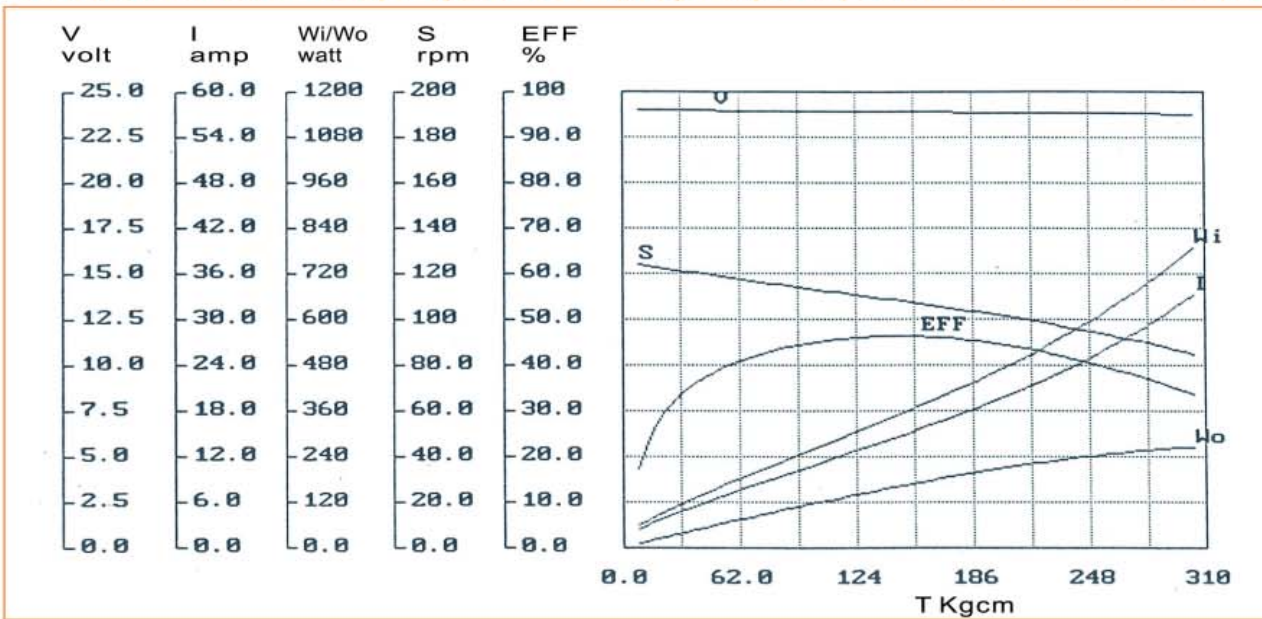


φ 80mm ,Brass gear
 Ratio (1/ i) : 1/10- 1/50
 With encoder/brake available
 Left/Right side output shaft option

WG7185



24VDC No Load 125rpm (RATIO : 1/20) Torque/Speed Performance Curve



NO	R.P.M.	VOLT (V)	I (AMP)	INPUT (W)	TORQUE (KG-CM)	OUTPUT (W)	EFF (%)
1	124.3	24.07	2.70	65.04	8.00	10.20	15.68
2	122.7	23.96	3.57	85.62	19.00	23.90	27.91
3	121.8	23.96	4.21	100.83	26.00	32.50	32.23
4	121.1	23.96	4.83	115.80	30.00	37.30	32.21
5	120.2	23.96	5.72	137.10	43.00	53.00	38.66
6	118.6	23.95	6.88	164.86	55.00	66.90	40.58
7	116.2	23.95	8.25	197.60	70.00	83.50	42.26
8	114.6	23.95	9.83	235.40	90.00	105.80	44.94
9	112.4	23.91	11.62	277.82	109.00	125.70	45.25
10	109.1	23.91	13.73	328.21	133.00	148.90	45.37
11	106.7	23.88	15.92	380.07	160.00	175.20	46.10
12	103.1	23.87	18.36	438.19	185.00	195.70	44.66
13	99.9	23.85	21.08	502.65	213.00	218.30	43.43
14	95.4	23.82	24.16	575.49	244.00	238.80	41.50
15	91.2	23.81	27.98	666.13	273.00	255.40	38.34
16	83.7	23.77	34.31	815.53	309.00	265.40	32.54

WORM GEAR