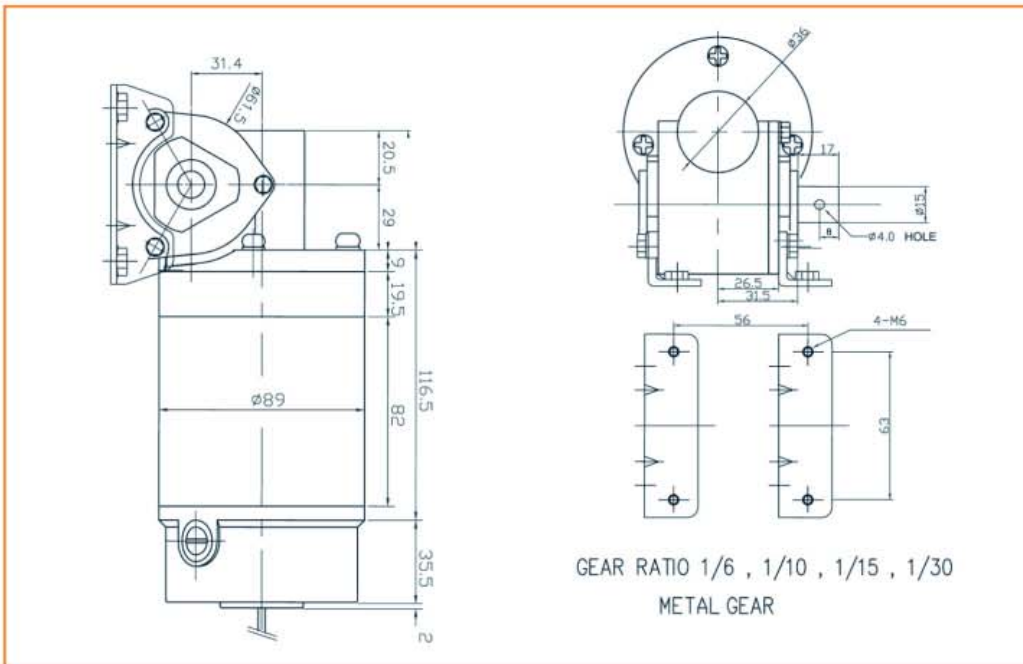


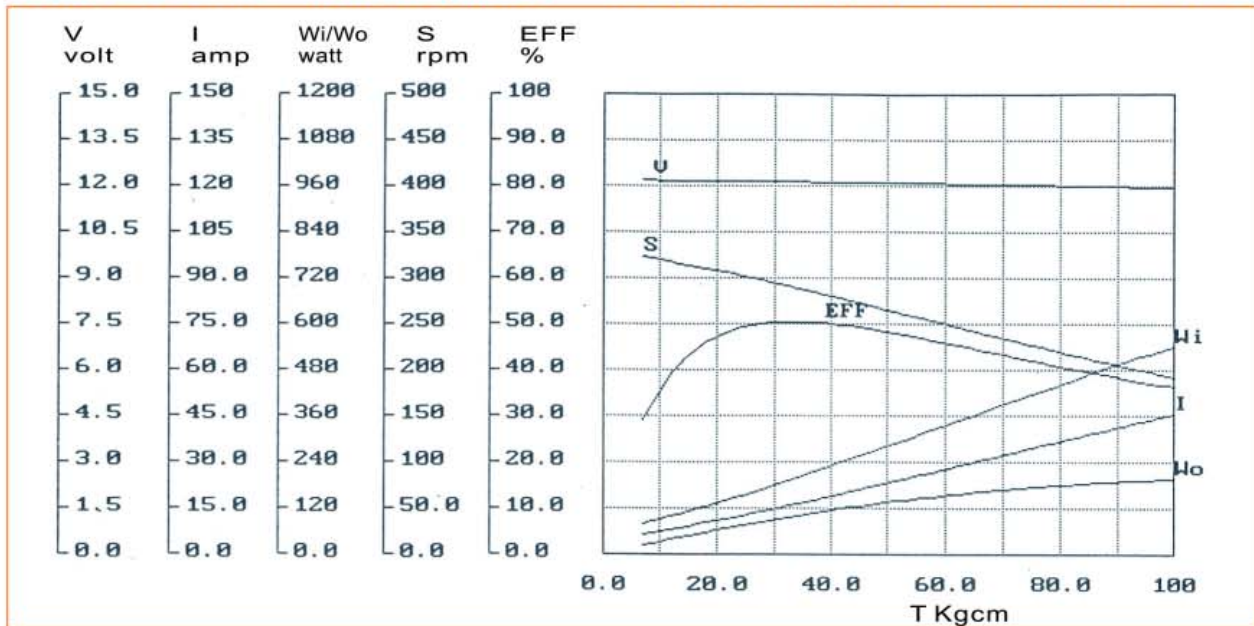


φ 89mm ,Brass gear
 Ratio (1/i) : 1/6 , 1/10 , 1/15 , 1/30
 Left/Right/Both Side output shaft option

G8156



12VDC No Load 325rpm (RATIO : 1/10) Torque/Speed Performance Curve



NO	R.P.M.	VOLT(V)	I (AMP)	INPUT(W)	TORQUE (KG-CM)	OUTPUT (W)	EFF (%)
1	323.6	12.19	6.33	77.16	7.00	23.20	30.07
2	316.0	12.16	8.00	97.26	11.00	35.70	36.71
3	313.5	12.16	9.54	115.96	15.00	48.20	41.57
4	309.7	12.16	10.90	132.58	20.00	63.60	47.97
5	302.1	12.13	12.90	156.45	25.00	77.50	49.54
6	281.6	12.13	18.44	223.67	39.00	112.70	50.39
7	269.5	12.10	21.55	260.74	46.00	127.20	48.78
8	256.1	12.10	25.85	312.83	56.00	147.10	47.02
9	240.8	12.05	31.05	374.23	67.00	165.50	44.22
10	215.7	12.01	37.71	452.98	82.00	181.50	40.07
11	189.6	11.93	46.26	552.01	102.00	198.40	35.94

WORM GEAR