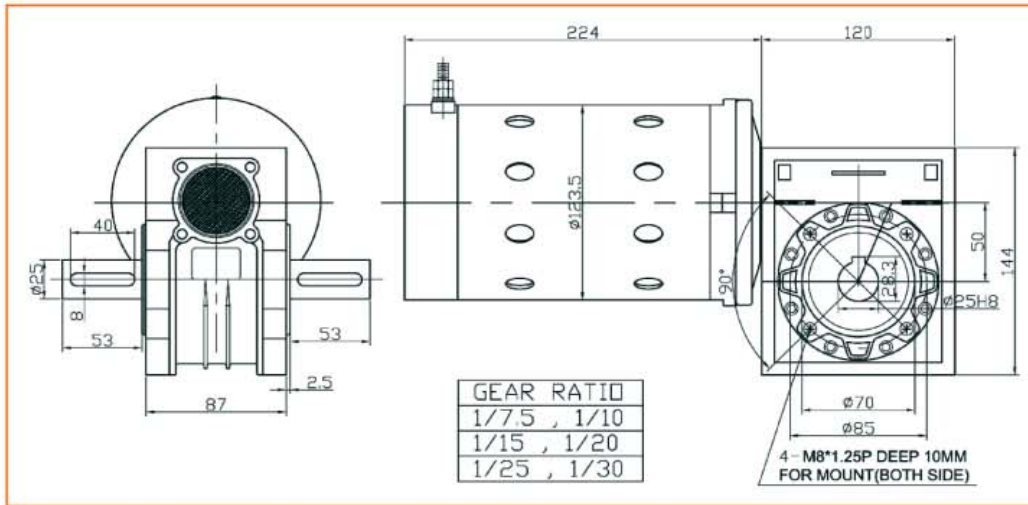


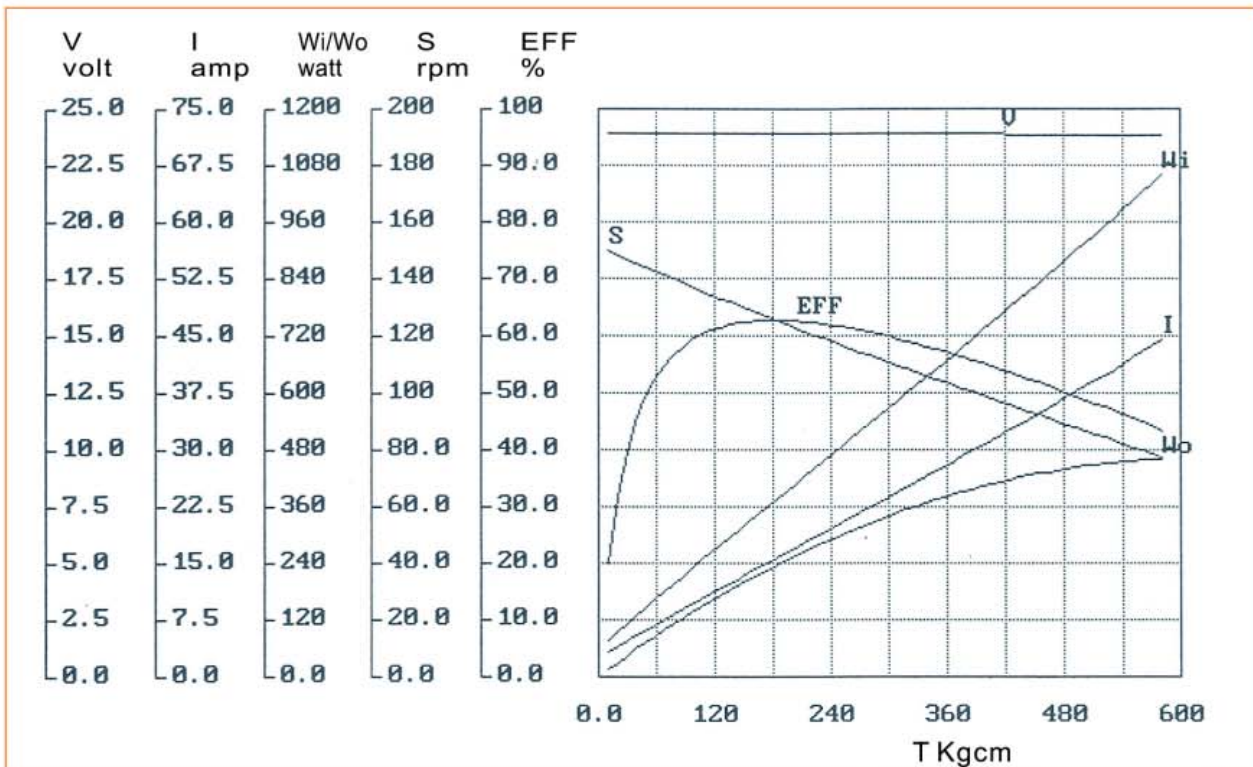


φ 124mm ,Brass gear  
 Ratio (1/ i) : 1/7.5 - 1/30  
 Stand : Option

WG1188



24VDC No Load 150rpm (RATIO : 1/10 )Torque/Speed Performance Curve



WORM GEAR

NO	R.P.M.	VOLT(V)	I (AMP)	INPUT (W)	TORQUE (KG-CM)	OUTPUT (W)	EFF (%)
1	148.7	23.85	3.30	78.70	10.00	15.30	19.44
2	143.7	24.03	6.45	154.90	54.00	79.60	51.39
3	134.7	24.00	11.12	267.04	121.00	167.20	62.61
4	130.6	23.99	13.16	315.84	148.00	198.30	62.78
5	127.1	23.96	15.28	366.26	176.00	229.50	62.66
6	123.0	23.80	17.55	417.76	209.00	263.80	63.15
7	115.8	23.86	20.02	477.71	243.00	288.70	60.43
8	110.3	23.90	22.47	536.83	278.00	314.60	58.60
9	109.0	23.94	24.93	596.64	318.00	355.60	59.60
10	104.4	23.91	27.60	659.72	356.00	381.30	57.80
11	99.7	23.91	30.27	723.72	394.00	403.00	55.68
12	95.3	23.88	33.23	793.47	431.00	421.40	53.11
13	90.1	23.87	36.10	861.61	473.00	437.30	50.75
14	87.0	23.85	39.11	932.71	510.00	455.20	48.80
15	81.3	23.82	42.10	1002.70	550.00	458.80	45.76
16	75.3	23.81	45.20	1076.11	589.00	455.00	42.28