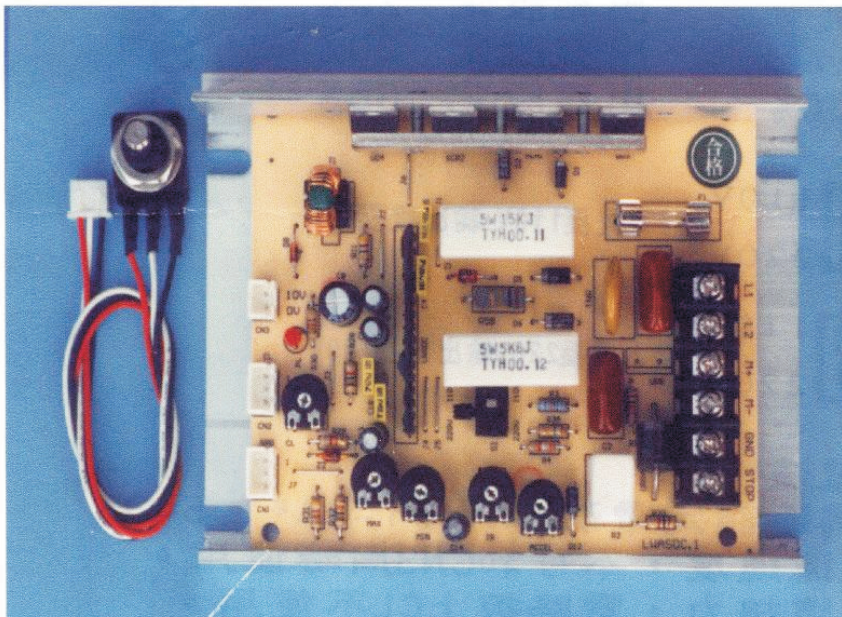


DC MOTOR SPEED CONTROLLER

ITEM CT-A04

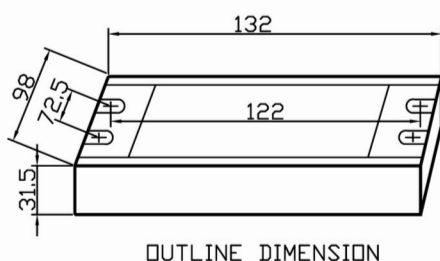


INPUT VOLTAGE
AC 110V or 220V

OUTPUT VOLTAGE
DC 90V or 180V

Controlling method :

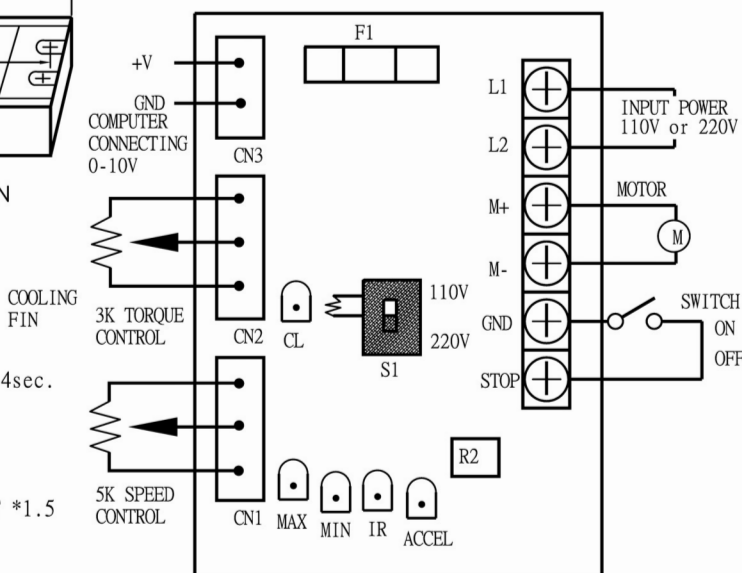
1. Motor Speed Control
2. Motor Torque Control
3. Computer connecting control



OUTLINE DIMENSION

CONNECTING DETAIL

1. MIN SPEED : 0-30%
2. MAX SPEED : 50-110%
3. IR (LOWER SPEED) : 0-35%
4. Accel(Acceleration time):0.5-4sec.
5. CL(CURRENT LIMIT) : 50-200%
6. S1 (INPUT VOLTAGE)
INPUT 110VAC OUTPUT 90VDC
INPUT 220VAC OUTPUT 180VDC
7. F1(FUSE) : MOTOR RATED CURRENT *1.5
8. CN1 (MOTOR SPEED CONTROL)
9. CN2 (MOTOR TORQUE CONTROL)
10. CN3 (COMPUTER CONNECTING) :
0-10V CONTROL MOTOR SPEED
MAX , MIN Unavailable
ACCEL got the function of tune adjust
the highest speed.



CONTROLLING FUNCTION

1. Turn off reset to prevent the motor spurt abruptly.
2. Using starting buffer to prevent the motor and connecting gadget be broken.
3. Motor Speed modified automatically , speed steady.
4. Automatic compensated when motor is on loaded that makes hi torque on the motor even running speed low.
5. Current could be set to prevent that the motor be broken by over load.
6. Highest and lowest speed could be set up.