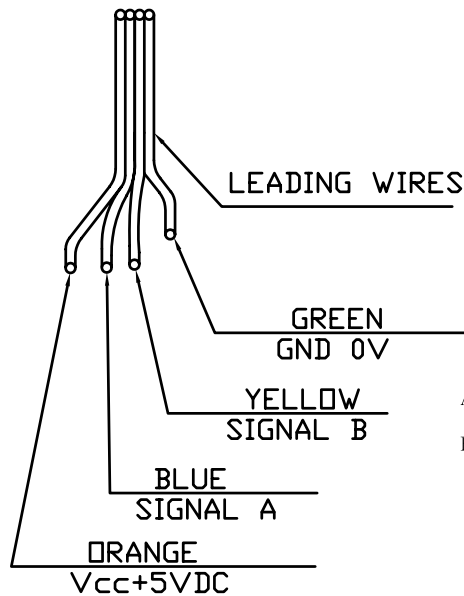


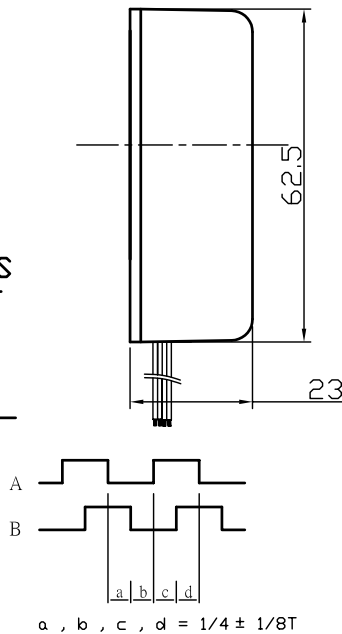
ENCODER OUTLINE

MAGNETIC Encoder Spec

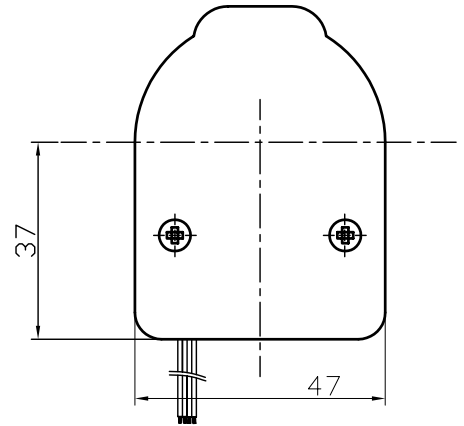
CONNECTING DETAIL



SIDE VIEW



TOP VIEW

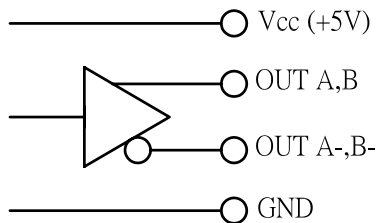


CONNECTING DETAIL

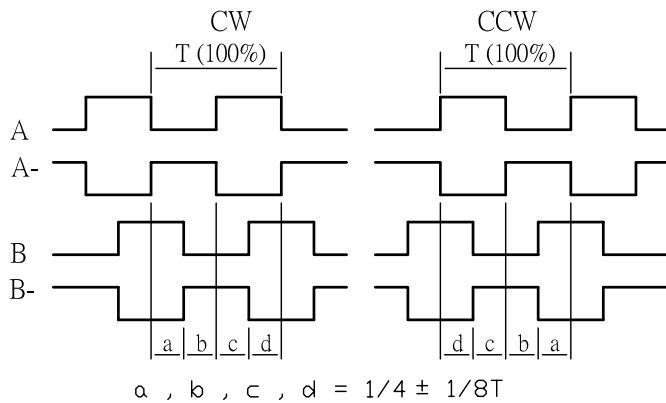
GREEN	GND 0V
YELLOW	SIGNAL B
BLUE	SIGNAL A
ORANGE	Vcc +5VDC

18 PULSE /RPM 2 CHANNEL , 4 PULSE /RPM 2 CHANNEL FOR OPTION

SCHEMATIC DIAGRAM



OUTPUT WAVE FORM



OPTICAL Encoder SPEC

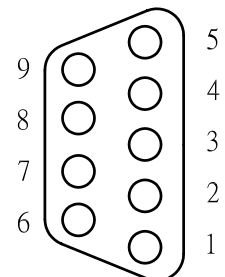
SPECIFICATION OF ENCODER

Power supply	DC 5V (fixed)
Power consumption	< 80 mA
Output Mode	Line Driver
Pulse Number	500 PULSE 2 CHANNEL
Frequency Response	25 KHz Max.

Connection Detail

1.	Vcc (+5V)
2.	A+
3.	B+
4.	Z+ (OPTION)
5.	GND (0V)
6.	A-
7.	B-
8.	GND (0V)
9.	Z+(OPTION)

Connector DB9 Female



KING RIGHT MOTOR